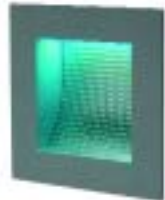
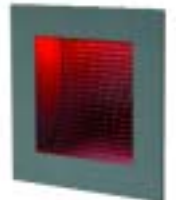
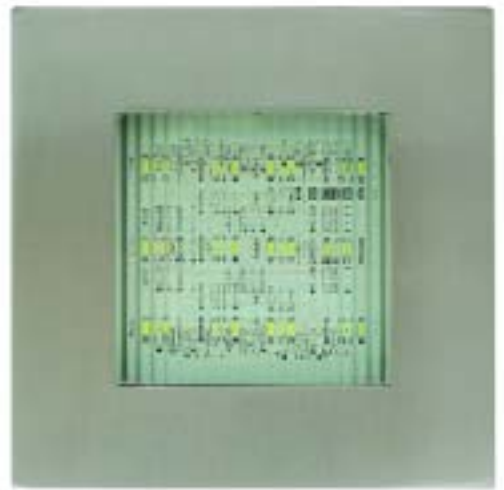
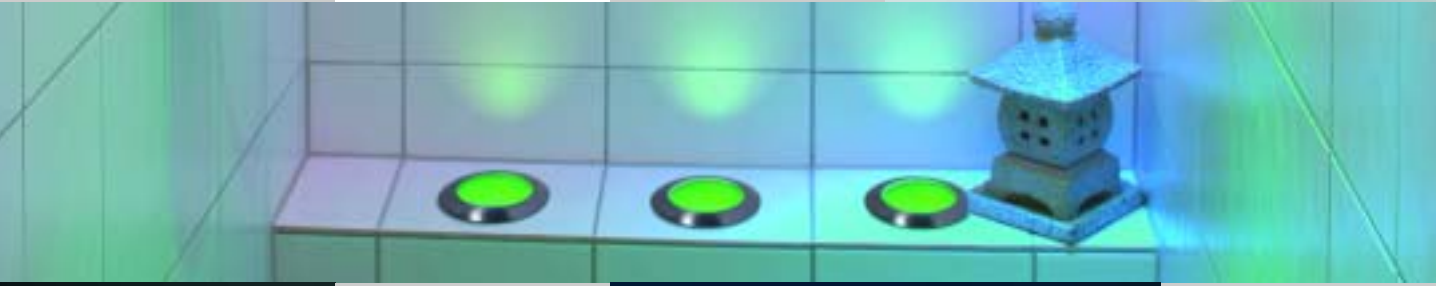
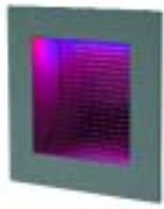


General catalogue

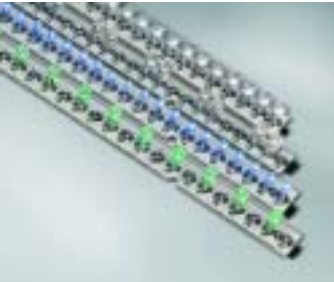
2004/2005

nobile 





nobile  always in the right light



nobilé at present

Preface by the management	4
nobilé – Through the light-years	5
nobilé – Always in the right light	6
nobilé – Productive at home and abroad	7
nobilé – The road to nobilé	8
nobilé – Innovative range	9
nobilé – New products 2004	10



Technical fittings

Quick release recessed downlight	16
Standard recessed downlights	17
Starry sky	22
Downlights for furniture use	23
Kardan luminaires	25
Recessed downlights IP 65 / IP 67	29
Techno Downlights	30



Electronic transformers

Technical Data	34
Transformers EN series	35
Transformers FM series	37
PowerPac	42
Low-voltage accessories	44
Transformers Dimking series	48
High-voltage dimmers	51



LED technology

PowerLED	54
LED – The complete luminaire range	62
LED – Modules and components	70
LED – Control gear and accessories	80

Electronic ballasts

Technical Data	86
Ballasts for compact fluorescent lamps type TC-DEL / TC-TEL	87
Multi-watt ballasts for fluorescent lamps T5	89
Miniature ballasts for TC-EL / TC-DEL / TC-TEL	90
Ballasts for metal-halide lamps	92



Light sources

Low-voltage halogen lamps	96
High-voltage halogen lamps	98
Discharge lamps	101
Compact fluorescent lamps	103



Low-voltage spots and tracks

Facilità system	106
Facilità spots	107
Facilità bows with spots	109
Facilità tracks and accessories	110



High-voltage projectors and tracks

Projector Lecto / Power Lecto / Lecto 42 / Lecto 57	116
System planning	122
Track system NT (round profile) and accessories	123
Track system NU (rectangular profile) and accessories	124
Light distribution: pls. see under www.nobile.de	
High-voltage tracks and accessories	125





Dear nobile customer,

With our new catalogue, we have the pleasure of giving you an overall view and a detailed survey of our complete product range.

As your competent partner for light and lighting electronics, we are always prepared to give you personal advice.

Have a lot of fun with our new General Catalogue 2004/2005 – and delve into the modern lighting technology.

*Wolf Neuhäuser,
Managing Director*

*Brigitte Posselt,
Managing Director*

nobilé

through the light-years

1989 The foundation of nobilé

A small but highly motivated team of lighting specialists founds nobilé in Frankfurt, Germany.

Our basis:

Electronic transformers and technical fittings for halogen lamps. The concept of nobilé works out – the beginning of a success story.

1993 Successful expansion

Due to the increasing demand for our products, the demand for competent staff and partners in the sector of technical lighting is growing. Our team is steadily expanding. With our new partner in Milan and our new production plant for electronics and electronic components in Manila, Philippines, there is a considerable extension of our capacity.

1994

Our production plant in Manila is certified according to ISO 9001. This proves that nobilé achieves top quality and safety standards in Germany as well as abroad.

1998 nobilé AG

In 1998 nobilé becomes a stock corporation. New structures guarantee profitability and efficiency.

2001 Paving the way for LED

nobilé dedicates itself to the further development of LED-technology and develops a complete range of LED luminaires and accessories. To further guarantee the production of innovative items, our R&D takes on new engineers.

2004 Present and future

As a successful provider of lighting solutions, nobilé manages to strengthen its market position. We are looking forward to a much promising future.

nobilé

always in the right light

What we stand for

nobilé stands for future-oriented lighting technology, innovative products and top quality design-oriented lighting solutions. As your competent partner for everything to do with light nobilé offers a complete range of luminaires, lamps, electronic control gear as well as accessories for commercial and private applications.

Future-oriented lighting technology

nobilé attaches the greatest importance to the continuous development of the latest lighting technologies. Not just modern trends in Germany and abroad are taken into consideration. We ourselves develop future-oriented technological lighting solutions and enlarge our product range by new innovative products of our own make.

Design-oriented lighting solutions

Creative design and top-quality materials are equally important to us. We consider design a visual realization of product quality. To guarantee this, we work together with well-known international designers and partners. Thanks to the co-operation with the renowned Atelier Sedap, we also have on offer exceptionally aesthetic plaster and wooden luminaires for wall, ceiling, and floor.

nobilé safety and quality

From product development and production to sales, in Germany as well as in our production plants abroad, nobilé lives up to the highest quality and safety standards. Our production plant in Manila is certified in accordance with ISO 9001. Reliable quality up to the last detail. VDE and other independent inspection agencies see to it that all of our different product groups comply with their specific standards. Top quality is guaranteed through continuous evaluations of our quality assurance management.

Service

nobilé is gladly prepared to follow your suggestions and meet your personal requirements. Our experienced sales personnel will offer you individual and competent customer service. With our partners for forwarding and logistics we can offer you quick and reliable deliveries worldwide.



nobilé

productive at home and abroad

nobilé based in Frankfurt, Germany

nobilé is a well-known and renowned supplier of lighting solutions, luminaires, lamps, electronic devices, and accessories in Germany as well as abroad.

The active co-operation with our partner in Milan and the production in our plant in Manila are important factors of our success. From our central office in Frankfurt, Germany, we supervise the whole nobilé production and sales worldwide. A well-equipped warehouse of up-to-date standards ensures smooth delivery service.

nobilé in Italy

Our production plant for recessed downlights and high voltage projectors for tracks is situated near Milan. The bestselling downlight D 3830 and the projector Lecto / Power Lecto are made in Italy.

nobilé in the Far East

In Manila, Philippines, electronic ballasts and LED lighting technology are manufactured, in addition to high-quality electronic transformers.

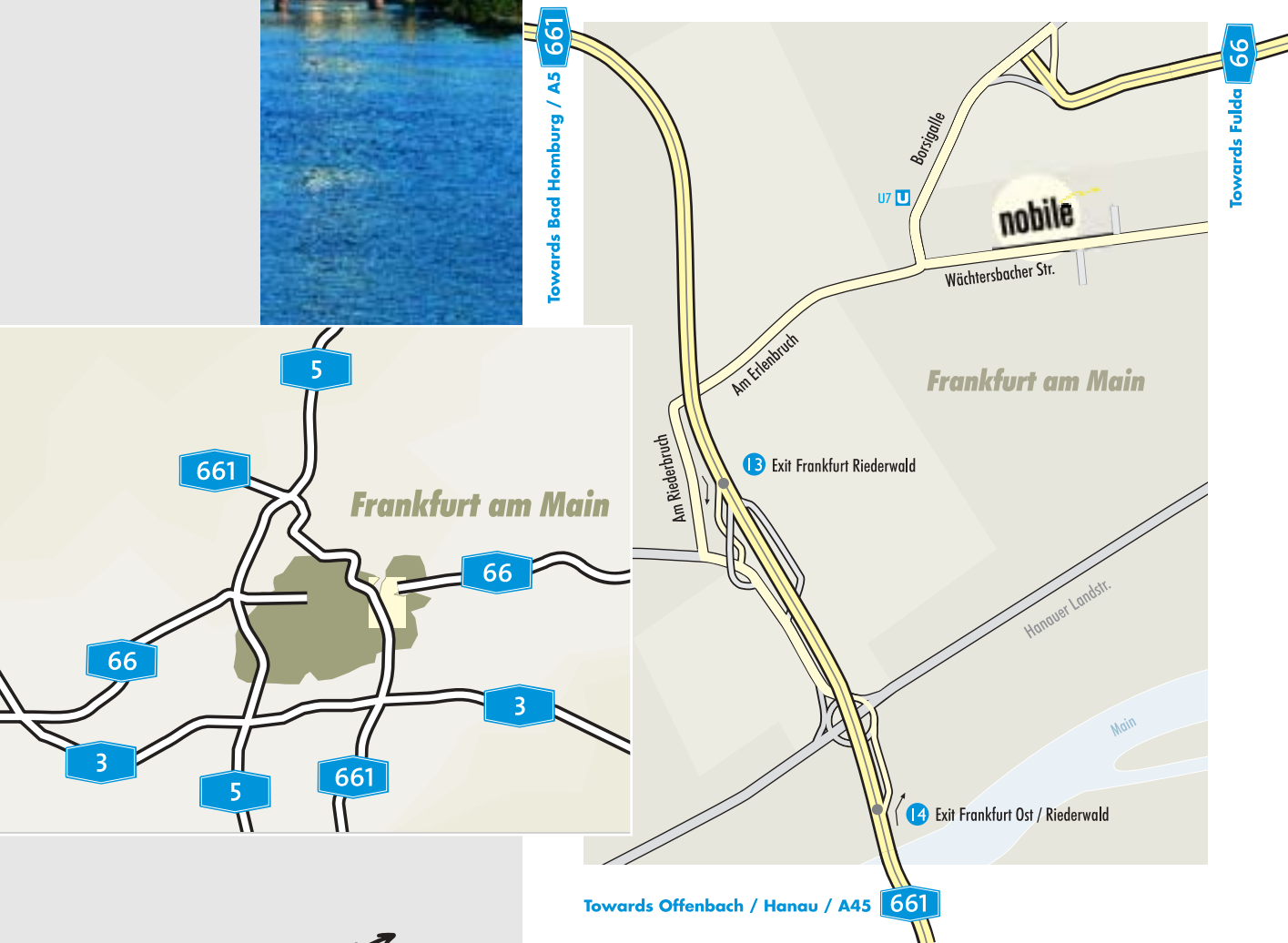


nobilé

the road to nobilé

How to find us

You can reach our headquarters in Frankfurt, Germany, very easily from all directions. You will find us within a short distance away from the motorway in the district Fechenheim. Just follow the indications given in the map below. Of course, you can also use the public transport system, as we have good transport connections. We look forward to seeing you in our headquarters!



nobilé ↗

nobilé

innovative range

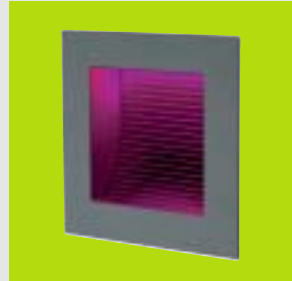
Our complete programme

nobilé offers a broad spectrum of lighting solutions. Whether functional or effect lighting, whether indoors or outdoors, for private or commercial use - we offer everything to do with light: recessed downlights, luminaires for wall, ceiling, and floor, electronic transformers and ballasts, as well as control gear, components and accessories. To update the extensive product range for her customers, nobilé keeps pace with the latest trends in technology and design.

nobilé offers

- Recessed downlights
- Electronic transformers
- LED lighting technology
- Electronic ballasts
- Light sources
- Track systems / low-voltage and high-voltage projectors
- Design plaster luminaires by Atelier Sedap (architectural line)
- Design wooden luminaires Lucid by Atelier Sedap

To give you a detailed overview of our complete product range, we suggest that you refer to the special catalogues based on your specific requirements, such as our LED catalogue, the Techno-Downlights (German only), and the General Catalogue in standard format as well as pocket-sized (German only).



nobile ↗

New products

LED technology

Ti-Light

The Ti-Light combines clear shape and modern material with the advantages of soft and glare-free LED-light. Due to its low power consumption and operation with batteries, lighting accents without cable can be set on terraces and in garden areas.

Solid line PowerLED

Higher efficiency, more power and better color rendering, these are the strong points of PowerLED. Together with special optical systems, fittings can now be designed which were impossible to do until recently. In the Solid line series, nobile makes use of the new possibilities and offers you fixtures for exciting illumination effects.

By using PowerLED in the IP 65 rated downlight WT 50, we can offer an attractive new model in this series now.

Multicolor

Everything is possible, at least when it comes to colors. With the multicolor technology, a 'three-color' LED, the 3 colors red, green, and blue can be blended to an unprecedented degree. With multicolor PCBs or fixtures made by nobile new possibilities for the creation of lighting moods open up.

LED Profile

Our LED profile is robust and easy to mount. Now you can install nobile's LED lines in areas which were difficult to deal with before. Through different positioning angles of the Led lines inside the profile, various lighting effects can be reached.

New products

luminaires

Lecto BriteSpot and Lecto PowerLED

By using completely different light sources, the metal halide reflector lamp BriteSpot or the PowerLED, many-sided applications are possible now for our model Lecto 12V:

- For sensitive exhibits we recommend Lecto PowerLED with IR- and UV-free PowerLEDs
- For high light output we recommend Lecto BriteSpot



There is a new member in nobile's Lecto series: the Lecto 57 with high luminous intensity. By using a 57W compact fluorescent lamp, this projector can be used in surroundings in which up to now only metal halide lamps were employed.

nobile's bestselling downlight D3830 with the unique quick release technology in combination with BriteSpot, the new compact metal halide reflector lamp 35W. A combination with exciting new possibilities, e.g. in shop lighting.



Kardan CDM-T

An extension to nobile's well known Kardan line. The Kardan luminaires can be equipped now with different lamps, from dichroic ones to metal halide sources. Thus we cover all aspects of modern shop lighting.



HV-track



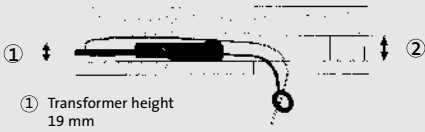
Our new HV-track system, with its small dimensions and large variety of different spots and pendant luminaires, is a product which is thought for application in living areas and representative offices.



nobile

New products

control gear



- ① Transformer height
19 mm
- ② Ceiling height
20 mm min.



PowerPac



Gaps of 20 mm are no problem for the PowerPac electronic transformer. Due to its special shape, it can be installed through openings with a min. diameter of 58 mm. Together with the other components of the system, like downlights and cables, a fast, cost-efficient, and safe installation is possible.



Transformer and dimmer in one single device, together with digital control by means of a push-button, that is the Dimking. The TF-200F and the TF-250F join this innovative product series now.

Dimking remote

With the remote control system Dimking remote you can change the lighting atmosphere from any point in the room. Up to four different groups can be switched and dimmed independently from each other, and all that with a very low installation effort.



To make efficient use of energy while at the same time optimizing the lifetime of the lamp: this was our philosophy when we designed the ballast EB-57-1. Due to modern, low-tolerance hybrid circuits and active harmonic suppressors, among other components, we managed to reach this goal.



As with our tried and tested Dimking series, also high-voltage fixtures can be controlled now through a simple touch. The only difference: not a push-button, but the whole metal housing of the fixture serves as a switching area for the dimming process.

20 horizontal lines for writing notes.

The right lighting for every request

The aesthetics of the downlights shown on the following pages make them fit into every room. The classic and technical design is a combination of form and function. The following criteria are crucial for us:

- high safety
- high material quality
- easy mounting
- easy replacement of lamps

Technical fit

For all applications

Created for different applications our downlights and lamps fulfill different needs:

- Low-voltage halogen lamps create light and shadow for precisely structured lighting requirements.
- High-voltage halogen light ensures wide area lighting with high brightness.
- Metal halide lamps are especially suitable for very high brightness in large rooms.
- Compact fluorescent lamps are especially cost efficient energy saving lamps for soft basic lighting.

nobile 

tings



REPLACEMENT OF LAMPS IN QUICK RELEASE DOWNLIGHT D 3830 pat. DOWNLIGHT WITHOUT FIXING RING



1. The inner ring is removed by a simple press.



2. The faulty lamp can now be replaced easily.



3. The inner ring can then be simply pushed into place.

Separate inner rings are available as accessories for individual color combinations. Please order 176001....

Some useful tips

For 230V installations in humid rooms safety areas need to be considered. Not all types of lamps can be mounted in these areas. For low-voltage installations (e.g. 12V) lower requirements are applicable (see VDE 0100 part 701).

Low-voltage halogen lamps offer good conditions for a safe installation in humid rooms.

Attention: Even for low-voltage halogen lamps a direct contact within the safety areas 0-3 is not allowed. Track or rope systems are not allowed in humid rooms.

The following has to be considered:

Strictly no 230V outlet above safety area 1 (bathtub or shower). At most a properly insulated 12V system with the approval of the manufacturer for this area can be used above safety area 1. Planning shall always be done by an authorized electrician.



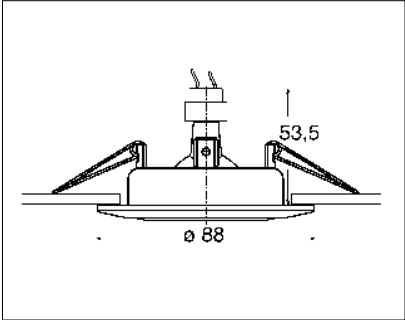




DOWNLIGHT D 3830 pat

-

D 3830 pat.
 With reliable and patented mechanics for fast and easy lamp change
 Adjustable: vertically circa 20°
 Material: steel, inner ring brass
 Surface: powder coated or galvanized
 Accessories page 19



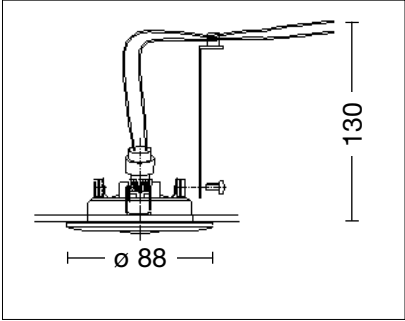









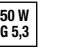
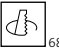


DOWNLIGHT D 3830 FOR BRITESPOT

-

D 3830 for BriteSpot HIT 35 W
 New: D 3830 with reliable and patented mechanics for fast and easy lamp change for the new metal halide lamp BriteSpot E550.
 This lamp exceeds comparable halogen lamps approx. by factor 3 with regard to light output
 Adjustable: vertically circa 20°
 Material: steel, inner ring brass
 Surface: powder coated or galvanized

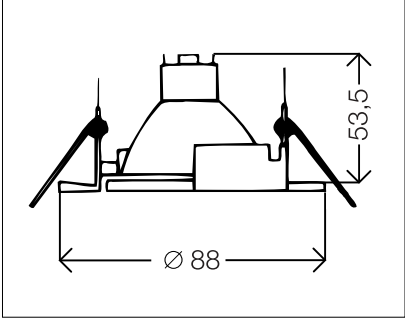


Suitable electronic ballast page 92, lamp page 102









DOWNLIGHT C 3830

-

C 3830
 Adjustable: vertically circa 20°
 Material: steel, inner ring brass
 Surface: powder coated or galvanized
 Accessories page 19
 On request also available with VDE sign



* The F-sign is only applicable with mounted distance keeper 12V

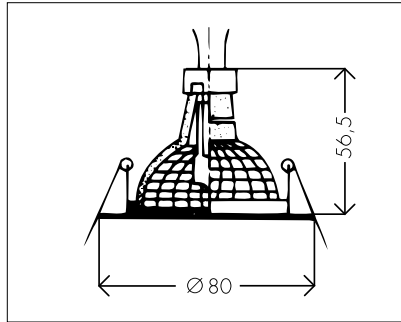
The downlights of series D 3830 and C 3830 can also be equipped with aluminium reflector and pinlight: please order reflector type 1551005000



DOWNLIGHT C 1830



C 1830 chrome



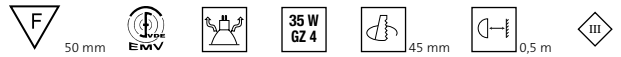
C 1830

Fixed
 Material: steel
 Surface: powder coated or galvanized

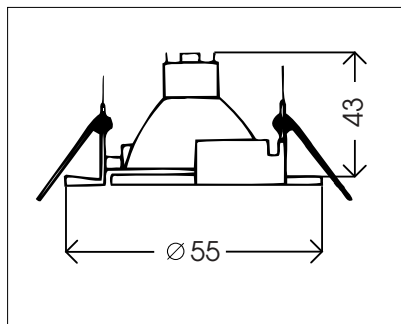
Accessories page 19



DOWNLIGHT C 3860



C 3860 white



C 3860

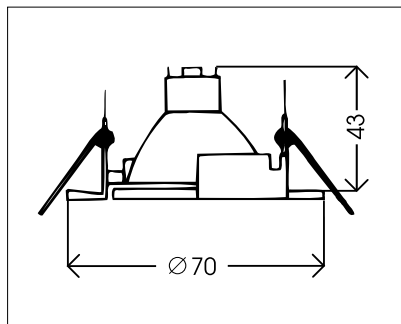
For MR11 / 35 mm lamps
 Fixed
 Material: brass
 Surface: powder coated or galvanized



DOWNLIGHT C 3840



C 3840 white



C 3840

For MR11 / 35 mm lamps
 Adjustable: vertically circa 20°
 Material: steel, inner ring brass
 Surface: powder coated or galvanized



The downlights of series C 1830, C 3860 and C 3840 can also be equipped with aluminium reflector and pinlight: please order reflector type 1551003500 (C 3860 and C 3840) reflector type 1551005000 (C 1830)










HEAT CAN 185000000

□

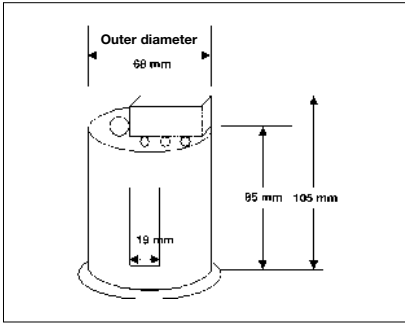
Heat can 185000000

Heat can made from metal with terminal and strain relief for D 3830, C 3830 and C 1830

 Aluminium coated reflector lamps up to 50 W
Cool-beam lamps up to 35 W

 Aluminium coated reflector lamps up to 35 W
Cool-beam lamps up to 20 W

Material: sheet steel



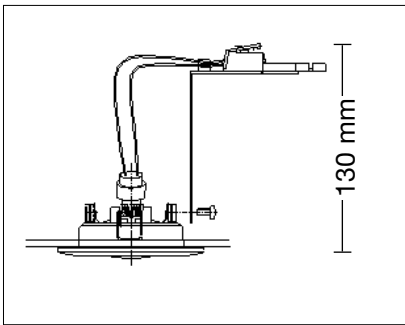




HIGH VOLTAGE KIT GU 10

High voltage kit GU 10, 230 V

Distance keeper with high-voltage lamp holder GU 10 and strain relief for conversion of downlights D 3830, C 3830 and C 1830 for high voltage halogen lamps



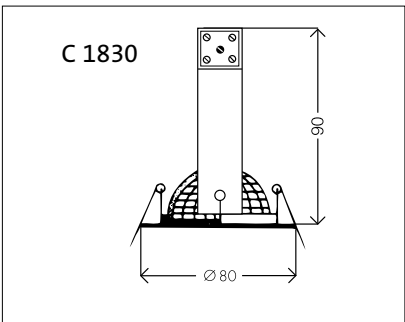
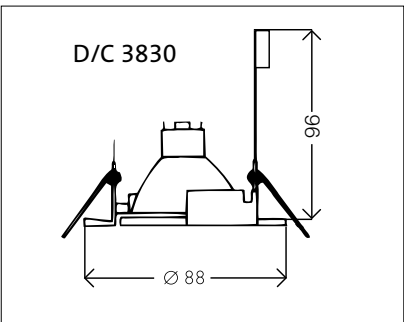


DISTANCE KEEPER 12 V

Distance keeper 12 V

Distance keeper with terminal for conversion of downlights D 3830, C 3830 and C 1830

On request also available with strain relief



nobile ↗

DOWNLIGHT N 5800



50 W
G 5,3



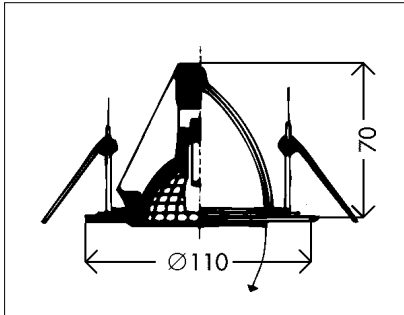
97 mm



0,5 m



N 5800 brushed nickel



N 5800

Adjustable: horizontally circa 355°, vertically circa 85°

Material: die-cast

Surface: lacquered or galvanized

To avoid heat accumulation we recommend that inner tube should project outwards and not stay level with outer ring



DOWNLIGHT N 5030



50 W
G 5,3



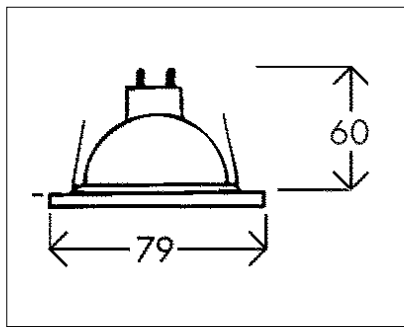
65 mm



0,5 m



N 5030 chrome



N 5030

Fixed

Material: zamak

Surface: lacquered or galvanized



50 W
G 5,3

74 mm



0,5 m



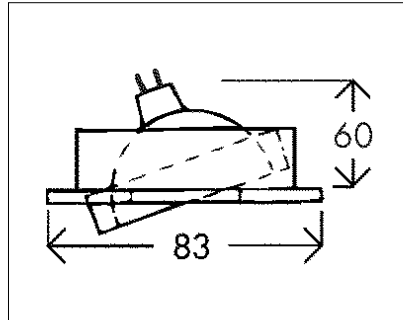
DOWNLIGHT N 5049

□ ■ □ ■ M M N

N 5049

Adjustable: vertically circa 20°

Material: zamak

Surface: lacquered or
galvanized

N 5049 brushed nickel

35 W
GZ 4

57 mm



0,5 m



DOWNLIGHT N 5048

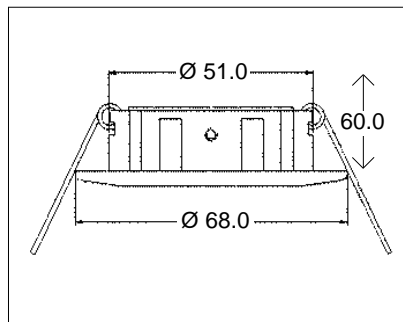
□ ■ □ ■ M M N

N 5048

For MR11 / 35 mm lamps

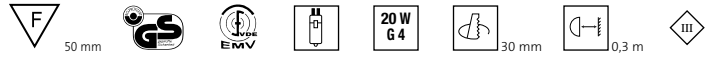
Adjustable: vertically circa 20°

Material: zamak

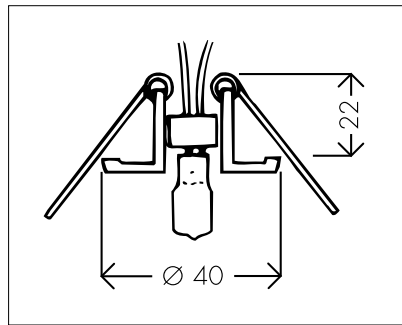
Surface: lacquered or
galvanized

N 5048 brushed nickel

DOWNLIGHT C 392



C 392 chrome



C 392

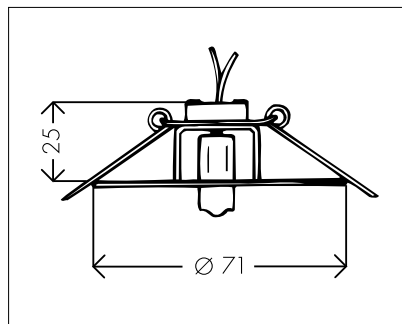
Material: brass
Surface: powder coated or galvanized



DOWNLIGHT C 410



C 410 chrome

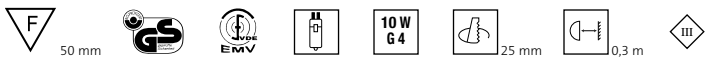


C 410

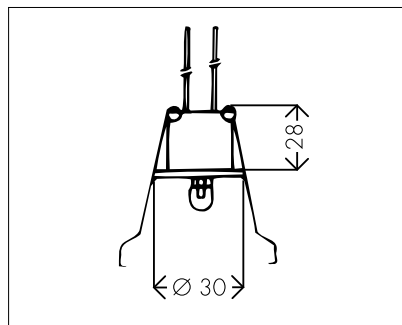
Material: steel
Surface: powder coated or galvanized



DOWNLIGHT C 411












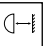
C 411 chrome



C 411

Material: brass
Surface: powder coated or galvanized













FURNITURE DOWNLIGHT N 5020

N 5020

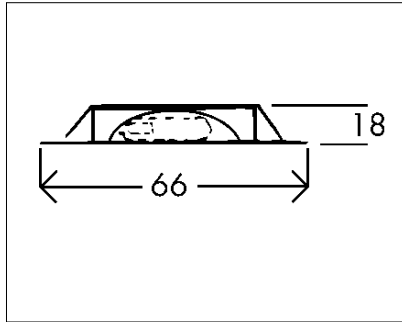
Available with 30 cm or 200 cm cable and AMP

Delivery including pinlight

Fixed

Material: steel,
housing plastic

Surface: lacquered or
galvanized



N 5020 brushed nickel

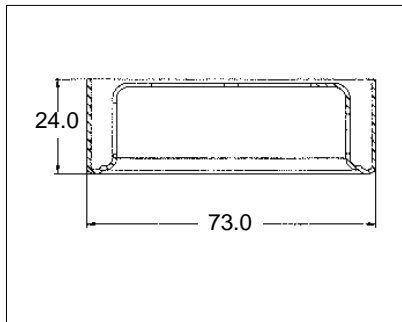



SURFACE MOUNTING RING FOR FURNITURE DOWNLIGHT R 5020

R 5020

Accessory for N 5020, delivery not including N 5020

Material: steel
Surface: lacquered or
galvanized



R 5020 chrome











FURNITURE DOWNLIGHT N 5022

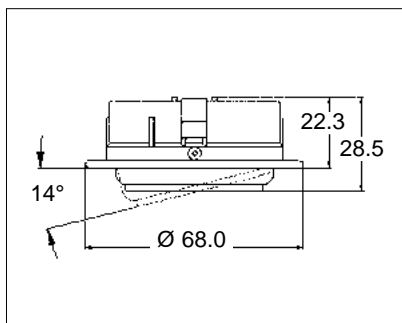
N 5022

adjustable, with 200 cm cable and AMP

Delivery including pinlight

Material: steel
housing plastic

Surface: lacquered or
galvanized

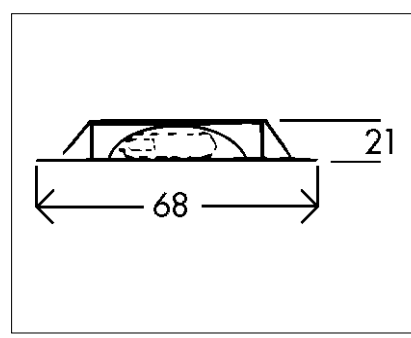


N 5022 brushed nickel

FURNITURE DOWNLIGHT 2019



2019 white



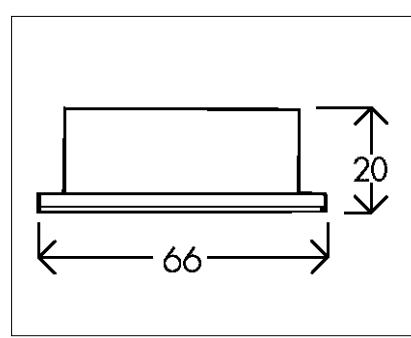
2019
low depth
Material: steel, aluminium, chrome
Surface: lacquered or galvanized



FURNITURE DOWNLIGHT 2020



2020 white



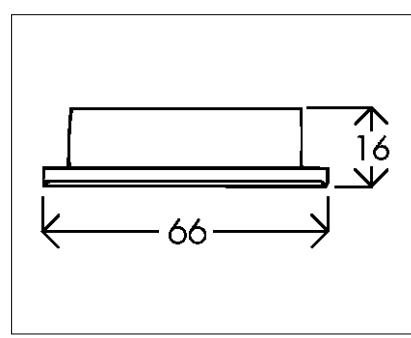
2020
Material: aluminium alloy, housing and cover: plastic with frosted, heat resistant cover glass



FURNITURE DOWNLIGHT 2021



2021 white



2021
Material: aluminium alloy, housing and cover: plastic with frosted, heat resistant cover glass





SURFACE-MOUNTED FITTING KARDAN

Kardan

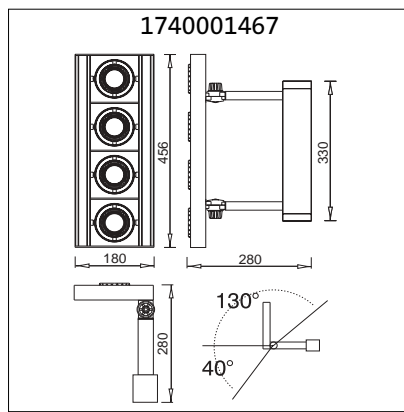
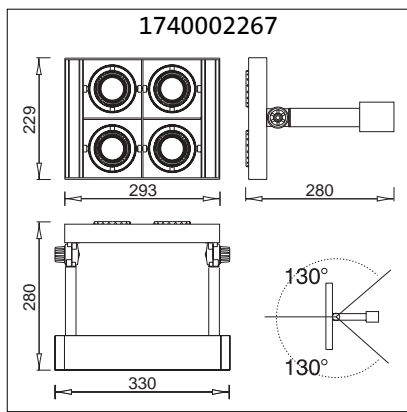
Surface-mounted luminaire with built-in electronic transformer (200VA) for low-voltage halogen lamps

Lamp frame adjustable to all sides. Open frame construction for transparent design

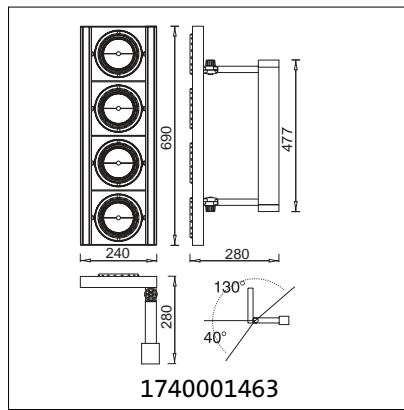
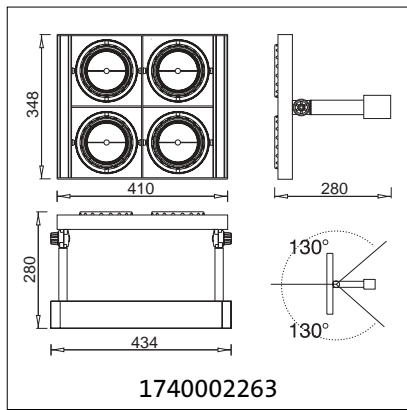
Material: aluminium
Surface: powder coated
Surface-mounted height: 280 mm



1740001467



1740002267



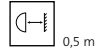
Part no.	Lamp arrangement	Base	Lamp	Wattage (max.)
1740001463	1 x 4	G 53	AR 111 aluminium reflector lamp	4 x 50 W
1740002263	2 x 2	G 53	AR 111 aluminium reflector lamp	4 x 50 W
1740001467	1 x 4	GU 5,3	Cool-beam lamp	4 x 50 W
1740002267	2 x 2	GU 5,3	Cool-beam lamp	4 x 50 W



RECESSED DOWNLIGHT KARDAN E

50 W
G 53

50 W
G 5,3



Kardan QR 51 E-1 (1 x 1)

Kardan E

Recessed downlight, rectangular, with lamp frame adjustable to all sides, for low voltage halogen lamps MR 16 (diameter 51 mm) or aluminium reflector lamps AR 111, max. 50 W

Material: sheet steel
Surface: galvanized
Colors: matte titanium
white (upon request)



Kardan QR 51 E-2 (1 x 2)

QR 51 (MR 16), 12 V, max. 50 Watt, G 5,3

Part no.	Designation	Dimensions	Cut-out hole
174700....	Kardan E-1, 1 x 1	108 x 108 x 100 mm	95 x 95 mm
174700....	Kardan E-2, 1 x 2	202 x 108 x 100 mm	184 x 95 mm
174700....	Kardan E-3, 1 x 3	296 x 108 x 100 mm	278 x 95 mm
174700....	Kardan E-4, 2 x 2	202 x 202 x 100 mm	184 x 184 mm
174700....	Kardan E-6, 2 x 3	296 x 202 x 100 mm	278 x 184 mm



Kardan AR 111 E-3 (1 x 3)

AR 111, 12 V, max. 50 Watt, G 53

Part no.	Designation	Dimensions	Cut-out hole
174710....	Kardan E1, 1 x 1	180 x 180 x 100 mm	167 x 167 mm
174710....	Kardan E2, 1 x 2	340 x 180 x 100 mm	327 x 167 mm
174710....	Kardan E3, 1 x 3	500 x 180 x 100 mm	487 x 167 mm
174710....	Kardan E4, 2 x 2	340 x 340 x 100 mm	327 x 327 mm



Kardan QR 51 E-4 (2 x 2)



Kardan QR 51 E-6 (2 x 3)

Kardan CDM-T

Recessed downlight, rectangular, with lamp frame adjustable to all sides, for metal halide lamps CDM-T, max. 70 W, and/or aluminium reflector lamps AR 111, max. 50 W

Delivery without ballast and transformer

Material: sheet steel
Surface: galvanized
Colors: matte titanium
white (upon request)



Kardan CDM-T E-2 (1 x 2)

CDM-T 35/70 Watt, G 12, and/or AR 111, 12V, max. 50 Watt, G 53

Part no.	Designation	Lamp	Dimensions	Cut-out hole
1748010041	Kardan E-1	1 x CDM-T	180 x 180 x 170 mm	167 x 167 mm
1748020041	Kardan E-2	2 x CDM-T	340 x 180 x 170 mm	327 x 167 mm
1748010141	Kardan E-2	1 x CDM-T + 1 x AR 111	340 x 180 x 170 mm	327 x 167 mm
1748030041	Kardan E-3	3 x CDM-T	500 x 180 x 170 mm	487 x 167 mm
1748010241	Kardan E-3	1 x CDM-T + 2 x AR 111	500 x 180 x 170 mm	487 x 167 mm
1748020141	Kardan E-3	2 x CDM-T + 1 x AR 111	500 x 180 x 170 mm	487 x 167 mm
1748040041	Kardan E-4	4 x CDM-T	340 x 340 x 170 mm	327 x 327 mm
1748020241	Kardan E-4	2 x CDM-T + 2 x AR 111	340 x 340 x 170 mm	327 x 327 mm

When using CDM-T lamps you will need a reflector. Please choose from the following table:

Part no.	Designation	Beam angle
1748000008	Reflector Kardan CDM-T	8°
1748000024	Reflector Kardan CDM-T	24°
1748000036	Reflector Kardan CDM-T	36°

For electronic ballasts please see page 92

* Approval in preparation

Waterproof downlights

Downlights

with IP 65/67 rating

Our waterproof downlights were especially designed for humid areas.

For indoor use, our downlight WT 50 offers several applications, for example for showers, bathrooms or kitchens. It is also ideal for outdoor use. There it can create effective lighting for stairways or set nice lighting accents in garden surroundings.

It is protected against dust and water jets (IP 65) and can generally be used in all non step-on areas.

Our drive-over floor-mount downlight Walker (IP 67) provides an exclusive lighting atmosphere, for example in garage entries or step-on outside areas.

WT 50 DOWNLIGHT

50 W
G 5,3

70 mm



0,5 m



IP 65

□ ■ □ M ■ M T

WT 50 Downlight, IP 65

Downlight for low-voltage halogen reflector lamps (51 mm diameter), round or square, water jet protected

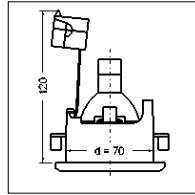
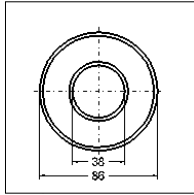
Housing: aluminium die cast with removable cover

Surface: powder coated or galvanized

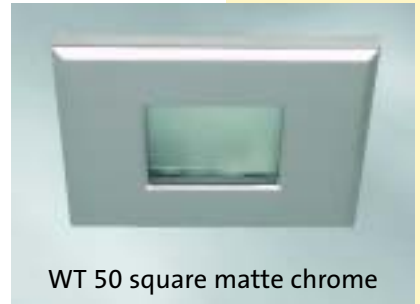
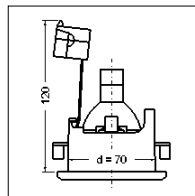
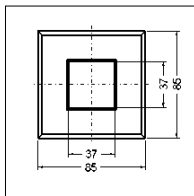
Front glass: clear tempered glass 3 mm

Washer: ageing resistant silicone

Protection class: IP 65 (only if built-in)



WT 50 round matte chrome



WT 50 square matte chrome

40 W
E 2750 W
G 2 10

155 mm



IP 67

WALKER

Walker floor-mount downlight, IP 67

Waterproof, drive-over floor-mount downlight

Housing: thermoplastic

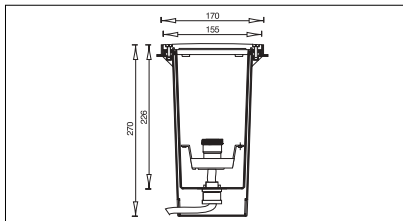
Washer: silicone

Front glass: polycarbonate (PC), unbreakable

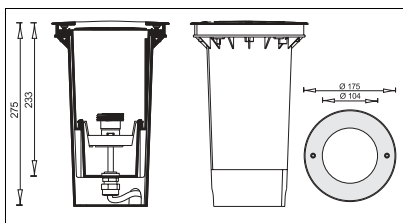
Screws: stainless steel

Protection class: IP 67

Loading capacity: up to circa 1000kg

Attention: For connection use cable type H07RN-F2 x 1.5 mm² (cable entry max. 10.5 mm diameter)

Walker



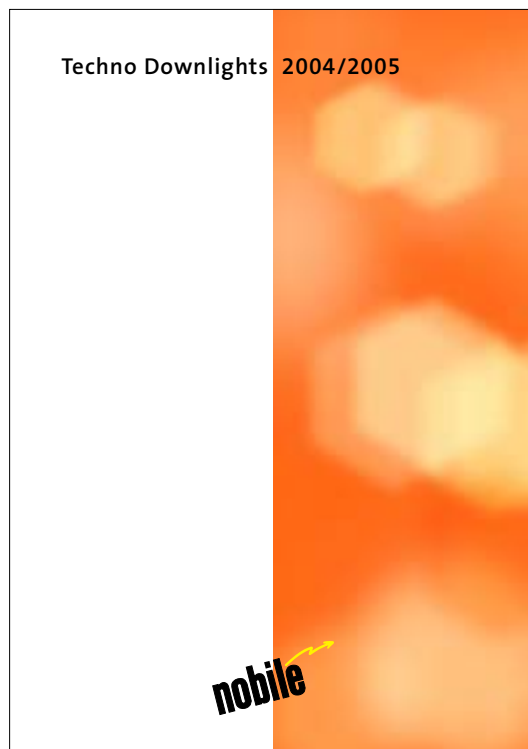
Walker M

Part no.	Designation	Lamp	Outer diameter	Recessed depth
1915507100	Walker	GZ 10 max. 50 W	170 mm	270 mm
1915503200	Walker	E27 R63 40 W/FBT 11 W	170 mm	270 mm
1915500971	Walker M with aluminium ring	GZ 10 max. 50 W	175 mm	275 mm
1915500932	Walker M with aluminium ring	E27 R63 40 W/FBT 11 W	175 mm	275 mm

Walker with LEDs upon request

nobile

For technical downlights , please ask for our special brochure
„Techno Downlights 2004/2005“



20 horizontal grey bars for writing notes.

Attractive design, small, light weight and low noise

The electronic transformers of our EN-series are for the use of low-voltage halogen lamps only. Innovative design, small size, little weight, low temperatures and very low noise while in use are the big advantages of the EN-series. But that's not yet all:

Electronic Tran

EN series

A thermosthich guarantees an exact automatic switch-off in case of overheating.

The lamp-saving soft-start circuit increases the lifetime of the lamps. All transformers are equipped with short circuit and overload protection. An additional fuse for wire protection is not necessary.

The EN-series can be dimmed with any standard trailing edge dimmer. The EN-F (60 VA - 110 VA), EN-F2 (60 VA - 110 VA) and EN-D2 series can be dimmed with any dimmer.

The MM-sign shows that nobilé electronic transformers can be built into furniture.

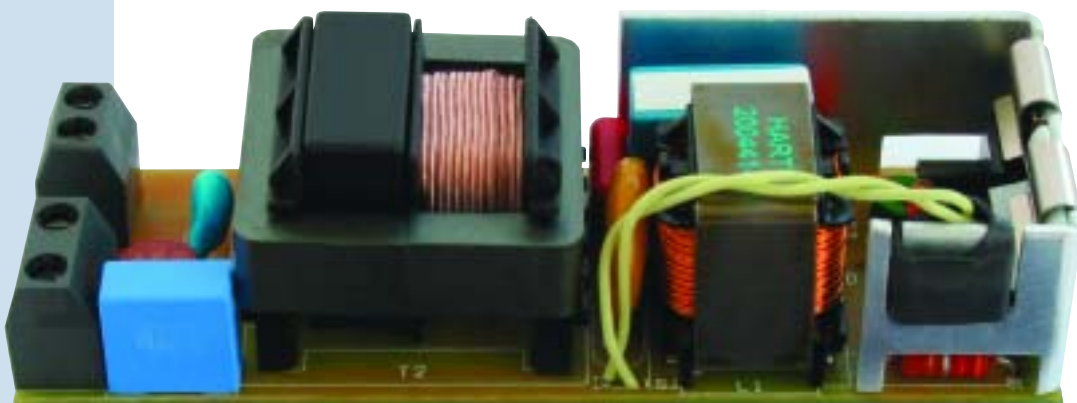
All products of this series are VDE approved and tested in a quality management system according to DIN EN ISO 9001. All components used are high quality components of well-known brands, which guarantees a very high quality and reliability.

nobile 

sformers




ELECTRONIC SAFETY TRANSFORMERS



Installation instructions

- Transformers are to be installed by qualified and authorized personnel only.
- The load must not exceed the max. load value stated on the transformer.
- The size of the secondary cable must take voltage drop into account and must not exceed 2 meters in length. Otherwise RFI is not guaranteed.
- The ambient temperature of the transformer must not exceed t_a listed on the device. Ventilation for the transformer needs to be considered.
- The minimum distance to heat sources must be 20 cm.
- Transformer secondaries must not be connected together.
- To protect the transformer from voltage spikes, (this happens, for example, when you switch off a fluorescent or discharge lamp or any inductive load) we would advise to connect it to a separate circuit. It is also possible to install additional surge voltage protection (nobilé part-no. 6990000000). One overvoltage protection module can protect up to 10 electronic transformers with 150 W load each against voltage spikes and surges.
- Technical modifications are subject to change without prior notice.

Technical Details

Primary voltage:
230V AC/DC / 50/60Hz
Secondary voltage:
11.8V~
Power factor:
 $\cos \varphi = 0.98$
Minimum distance to heat source:
20 cm
Electronic protection:
– Switch off at:
short circuit (secondary)
overload (secondary)
overheating (100°C)
– Automatic restart after removal of faults or after cool-down (no changing of fuse)
– Safety in accordance with EN 61347
– Performance in accordance with EN 61047
– RFI according to EN 55015 / CISPR 15
– EMC immunity in accordance with EN 61547
Safety:
Safety class II
 SELV
equiv.
Housing: silicone and halogen free



SELV
equiv.



EN-D2 SERIES

Series EN-D2

Independent converter with covered screw terminals. Especially for use in small openings. Bigger connection areas for easy wiring. Fits into downlight openings from 47 mm diameter onwards (150 VA: ø 52 mm)

Dimmable with any standard leading and trailing edge dimmer

The series EN-D2 is approved by VDE for AC and DC supply

EN-60 D2/80 D2/110 D2/150 D2



EN-D2

Part no.	Type	Load	Weight	Dimensions
6992006000	EN-60 D2	min. 20, max. 60 Watt	90 g	124 x 37 x 31 mm
6992006500	EN-80 D2	min. 20, max. 80 Watt	110 g	124 x 37 x 31 mm
6992007200	EN-110 D2	min. 35, max. 110 Watt	120 g	124 x 37 x 31 mm
6992007400	EN-150 D2	min. 50, max. 150 Watt	150 g	127 x 42 x 32 mm

Electronic
transformers



SELV
equiv.



EN-70 D SERIES

Series EN-70 D

Independent converter with covered screw terminals. Especially for use in small openings. Bigger connection areas for easy wiring. Fits into downlight openings from 45 mm diameter onwards

The series EN-70 D is approved by VDE for AC and DC supply



EN-70 D

Part no.	Type	Load	Weight	Dimensions
6991406200	EN-70 D	min. 20, max. 70 Watt	62 g	104 x 36 x 19 mm

nobile



EN-D

Series EN-D

Independent converter with covered screw terminals. Especially for use in small openings. Bigger connection area for easy wiring. Fits into downlight openings from 45 mm diameter onwards (150VA: 52 mm / 200VA, 250VA: 68 mm)

The series EN-D is approved by VDE for AC and DC supply

EN-60 D/80 D/110 D/150 D/200 D/250 D

Part no.	Type	Load	Weight	Dimensions
6991406000	EN-60 D	min. 20, max. 60 Watt	90 g	124 x 37 x 26 mm
6991406500	EN-80 D	min. 20, max. 80 Watt	110 g	124 x 37 x 26 mm
6991407200	EN-110 D	min. 35, max. 110 Watt	120 g	124 x 37 x 26 mm
6991407400	EN-150 D	min. 50, max. 150 Watt	150 g	127 x 42 x 31 mm
6991407500	EN-200 D	min. 100, max. 200 Watt	370 g	191 x 54 x 43 mm
6991407600	EN-250 D	min. 100, max. 250 Watt	370 g	191 x 54 x 43 mm

Series EN-P

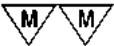
Independent converter with covered screw terminals. Especially for use in small openings. Bigger connection area for easy wiring. Fits into downlight openings from 45 mm diameter onwards

Dimmable with potentiometer 4.7 MΩ (delivery excluding potentiometer)

EN-60 P/110 P

Part no.	Type	Load	Weight	Dimensions
6991416000	EN-60 P	min. 20, max. 60 Watt	90 g	124 x 37 x 26 mm
6991417200	EN-110 P	min. 35, max. 110 Watt	120 g	124 x 37 x 26 mm

Part no.	Type
6998244701	Potentiometer 4.7 MΩ, switchable, with screw terminal



SELV
equiv.



EN-M SERIES

Series EN-M

Mini built-in converter with screw terminals

EN-35M/60M/80M



EN-M

Electronic
transformers

Part no.	Type	Load	Weight	Dimensions
6099185700	EN-35M	min. 10, max. 35 Watt	70 g	86 x 35 x 19 mm
6099186000	EN-60 M	min. 20, max. 60 Watt	80 g	96 x 42 x 20 mm
6099186500	EN-80 M	min. 20, max. 80 Watt	90 g	110 x 45 x 20 mm



SELV
equiv.



FM / FM-K SERIES

Series FM

Extra flat independent converter for use in furniture. AMP connectors secondary, primary with terminal and strain relief

FM-60/80

Series FM-K

Extra flat independent converter for use in furniture. AMP connectors secondary, primary with 2.0 m cable und Euro plug

FM-60 K/80 K



FM-60

Part no.	Type	Load	Weight	Dimensions
6991106000	FM-60	min. 10, max. 60 Watt	100 g	147 x 45 x 17.5 mm
6991106500	FM-80	min. 10, max. 80 Watt	100 g	147 x 45 x 17.5 mm
6991306000	FM-60 K	min. 10, max. 60 Watt	180 g	147 x 45 x 17.5 mm
6991306500	FM-80 K	min. 10, max. 80 Watt	180 g	147 x 45 x 17.5 mm



FM-80 K

nobile



Series FM2

Extra flat independent converter for use in furniture. Available in several different types, e.g. with 6-way AMP distributor secondary, primary with terminal and strain relief or 2.0 m cable with Euro plug

FM-120/120 C/120 K/120 KC/120 C2/120 KC2

Part no.	Type	Load	Weight	Dimensions
Primary and secondary with screw terminals:				
6991507330	FM-120	min. 35, max. 120 Watt	140 g	180 x 45 x 19 mm
Secondary with 6-way AMP distributor:				
6991507306	FM-120 C	min. 35, max. 120 Watt	180 g	180 x 45 x 19 mm
Primary with 2.0 m cable and Euro plug:				
6991507350	FM-120 K	min. 35, max. 120 Watt	210 g	180 x 45 x 19 mm
Primary with 2.0 m cable and Euro plug, secondary with 6-way AMP distributor:				
6991507356	FM-120 KC	min. 35, max. 120 Watt	260 g	180 x 45 x 19 mm
Secondary with 12-way AMP distributor:				
6091507302	FM-120 C2	min. 35, max. 120 Watt	210 g	180 x 45 x 19 mm
Primary with 2.0 m cable and Euro plug, secondary with 12-way AMP distributor:				
6091507352	FM-120 KC2	min. 35, max. 120 Watt	290 g	180 x 45 x 19 mm

SELV
equiv.

EN-F SERIES

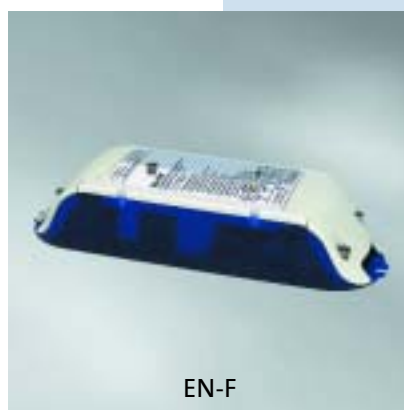
Series EN-F

Independent converter with WAGO clamp terminal for flexible or solid wire

Dimmable with all dimmers: 60 VA - 110 VA

Dimmable with trailing edge dimmer: 150 VA

EN-60 F/80 F/110 F/150 F



EN-F

Part no.	Type	Load	Weight	Dimensions
6991206000	EN-60 F	min. 20, max. 60 Watt	150 g	155 x 45 x 33 mm
6991206500	EN-80 F	min. 20, max. 80 Watt	150 g	155 x 45 x 33 mm
6991207200	EN-110 F	min. 35, max. 110 Watt	200 g	155 x 45 x 33 mm
6991207400	EN-150 F	min. 50, max. 150 Watt	200 g	155 x 45 x 33 mm

Electronic
transformersSELV
equiv.

EN-F2 SERIES

Series EN-F2

Independent converter with covered screw terminals. 6-pole terminal on the secondary side and 4-pole terminal on the primary side

Dimmable with all dimmers: 60 VA - 110 VA

Dimmable with trailing edge dimmer: 150 VA

EN-60 F2/80 F2/110 F2/150 F2



EN-F2

Part no.	Type	Load	Weight	Dimensions
6999106000	EN-60 F2	min. 20, max. 60 Watt	150 g	155 x 45 x 33 mm
6999106500	EN-80 F2	min. 20, max. 80 Watt	150 g	155 x 45 x 33 mm
6999107200	EN-110 F2	min. 35, max. 110 Watt	200 g	155 x 45 x 33 mm
6999107400	EN-150 F2	min. 50, max. 150 Watt	200 g	155 x 45 x 33 mm

nobile



EN-35 R

Series EN-35 R

Built-in converter for small spaces. Primary and secondary with 15 cm wire

EN-35 R

Part no.	Type	Load	Weight	Dimensions
6991605700	EN-35 R	min. 10, max. 35 Watt	70 g	42 x 47 x 34 mm



EN-60 R

Series EN-60 R

Independent converter for small spaces. Primary and secondary with 15 cm wire

EN-60 R

Part no.	Type	Load	Weight	Dimensions
6991606000	EN-60 R	min. 20, max. 60 Watt	90 g	57 mm x 19 mm

SELV
equiv.

EN-35E SERIES

Series EN-35E

Electronic safety transformer for built-in purpose. Primary and secondary with 15 cm wire

EN-35E



EN-35 E

Part no.	Type	Load	Weight	Dimensions
6099165700	EN-35 E	min. 10, max. 35 Watt	80 g	68 x 35x 19 mm

Electronic
transformersSELV
equiv.

EN-E SERIES

Series EN-E

Electronic safety transformer for built-in purpose. Primary and secondary with 15 cm wire

EN-60E/80E/110E



EN-E

Part no.	Type	Load	Weight	Dimensions
6099166000	EN-60 E	min. 20, max. 60 Watt	120 g	93 x 43x 32 mm
6099166500	EN-80 E	min. 20, max. 80 Watt	120 g	93 x 43x 32 mm
6099167200	EN-110 E	min. 35, max. 110 Watt	120 g	93 x 43x 32 mm

nobile

System transformer for quick and safe mounting in false ceilings of 20 mm height min.:

The nobilé PowerPac

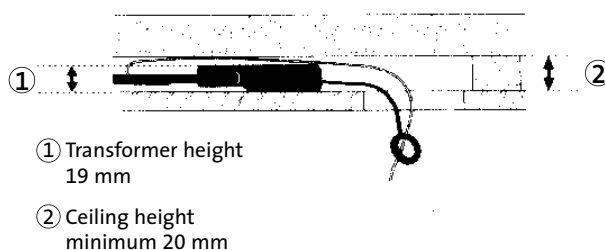
The small, patented design is characterized by numerous novelties and advantages:

The PowerPac, with an overall height of only 19 mm, can be mounted in very small spaces starting from 20 mm in height. The installation and dismantling can be done through very small ($\varnothing 58$ mm) downlight openings in the ceiling, whereas the specially developed shape with bended and rounded edges prevents the transformer from getting stuck during installation.

The PowerPac can be connected quickly and without tools. It is equipped with a plug system both on the primary and secondary sides. Primary there is the possibility of throughwiring, secondary up to 6 fixtures can be connected. The plugging systems differ in shape and colour to differentiate between the connection for the two sides.

The PowerPac is equipped with a strap which allows it to be pushed into the false ceiling, provided the required distance to the lamp is observed. On the other hand, the strap ensures easy dismantling. In addition to the PowerPac, a wide range of accessories, fixtures and cables with suitable plugs are offered by nobilé.



The PowerPac is provided with nobilé's known safety features: The transformer is electronically reversible. The PowerPac is equipped with short circuit, overload and overheat protection with automatic restart after removal of the fault.



Technical data:

Load: Power Pac 70W; PowerPac 105W
Voltage (primary): 240V
Frequency : 50/60 Hz
Output voltage (secondary): 11.5 V
Output: 20-70W; 20-105W
Protective insulation class II
Secondary wiring: max. 2 m
Minimum installation height: 20 mm
Minimum ceiling opening: 58 mm
Dimmable with trailing edge dimmer

Approvals:

Test marks:  

EMI / RFI in accordance with
EN 55015

Safety in accordance with
EN 61347-1

Performance in accordance with
EN 61047



SELV
equiv.



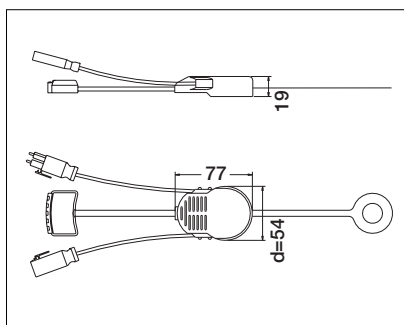
POWERPAC

PowerPac series

Ultra flat independent converter for small spaces of 20 mm height min. Primary with plug system for throughwiring, secondary with AMP-6-way-distributor

Dimmable with trailing edge dimmer

PowerPac 70 W / 150 W

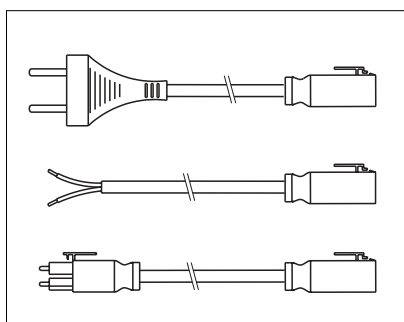


PowerPac

Part no.	Type	Load	Weight	Dimensions
6991000070	PowerPac 70 W	min. 20, max. 70 Watt	107 g	77 x 54 x 19 mm
6991000105	PowerPac 105 W	min. 20, max. 105 Watt	110 g	77 x 54 x 19 mm

POWERPAC HV-CABLES

High-voltage power supply and connections for the PowerPac system



Low voltage AMP-connectors see page 45



Part no.	Type
6993900310	PowerPac HV-power supply cable 3 m with Euro plug
6993900320	PowerPac HV-power supply cable 3 m mit free terminals
6993910330	PowerPac HV-connection cable 3 m
6993910430	PowerPac HV-connection cable 4 m

nobile



Part no.	Load
6990000000	max. 10 x 150 Watt

Overvoltage protection module with thermoswitch

For the protection of max. 10 converters with 150W each against voltage spikes and surges



Part no.	Load
6991000000	max. 150 Watt

EMI/RFI filter EMI-150

Mains connection with grounding is required



Part no.	Load
6968201006	max. 10 A / 120 Watt max. 5 A / 50 Watt per socket

6-way distributor with AMP sockets
12-way distributor with AMP sockets

Wire length: 12 cm

With these plug-in distributors, the installation of low-voltage halogen lamps can be done in the easiest way. In combination with the cable with AMP-plugs and sockets, the difficult conventional wiring becomes obsolete



Part no.	Load
6968201012	max. 10 A / 120 Watt max. 5 A / 50 Watt per socket

**6-way distributor with screw terminals**

Wire length: 10 cm

Part no.	Load
6968203006	max. 250 Watt max. 5 A / 50 Watt per socket

**6-way distributor with clamp terminals**

Wire length: 10 cm

Part no.	Load
6968202006	max. 250 Watt max. 5 A / 50 Watt per socket

**Cable with AMP-plug and socket**

Extension cable with AMP connectors for easy installation of low-voltage halogen lamps

Part no.	Length
6991451000	1 m
6991452000	2 m
6991453000	3 m

**Lamp holder with 30 cm cable and AMP-plug**

Lamp holder for easy installation of low-voltage halogen lamps. In combination with the cable with AMP-plugs and sockets, the difficult conventional wiring becomes obsolete

Part no.	Length
6991430300	30 cm



Transformer and dimmer in one single device – that's the Dimking with Duocontrol Technology. One device with two functions. Digital dimming without additional dimmer or switch.

Electronic Tra

Dimking with Duocontrol

A standard push-button switch or the Dimking remote system is enough for easy dimming and switching of the Dimking TF-F. The Dimking is a very practical solution and can be combined in many ways. For example, several Dimkings TF-F can be connected to one push-button switch or one Dimking remote receiver or several push-button switches can be connected in parallel to one or more transformers. This makes the Dimking an outstanding and good-value product.

The Dimking (TF-F) was designed especially for installation in ceilings. It is based on nobilé's Duocontrol Technology.

Dimming and switching in the Dimking series TF-E, SZ-TF and TF-R is effected by simply touching a sensor area. The integrated micro-controller of the Dimking ensures overvoltage regulation, overload- and short-circuit-protection and provides a memory function for the dimming mode and the switching status for high safety and easy handling. The micro-controller regulates the secondary voltage digitally at fluctuations of the primary voltage between 207 and 253 V. This ensures a constant output voltage of about 11.8 V and improves the life-span of the transformer and the lamp.

Dimking, the king of the dimmers – an exclusive product by nobilé – outstanding through its easy handling.

nobile 

nsformers TF

technology

Series TF





Dimming TF-80 F

Series TF-F

Independent converter with covered WAGO clamp terminals (2 terminals primary / 2 terminals for push-button switch / 6 terminals secondary). Dimming and switching by pressing a connected standard push-button switch and/or by using the Dimming remote system. Fits into downlight openings from 54 mm diameter onwards

TF-80 F/110 F

Part no.	Type	Load	Weight	Dimensions
9995006500	TF-80 F	min. 20, max. 80 Watt	150 g	155 x 45 x 33 mm
9995007200	TF-110 F	min. 35, max. 110 Watt	155 g	155 x 45 x 33 mm



Dimming TF-200 F

Series TF-F

Independent converter with covered WAGO clamp terminals (2 terminals primary / 2 terminals for push-button switch / 8 terminals secondary). Dimming and switching by pressing a connected standard push-button switch and/or by using the Dimming remote system. Fits into downlight openings from 68 mm diameter onwards

TF-200 F/250 F

Part no.	Type	Load	Weight	Dimensions
9995007500	TF-200 F	min. 100, max. 200 Watt	400 g	215 x 54 x 45 mm
9995007600	TF-250 F	min. 100, max. 250 Watt	400 g	215 x 54 x 45 mm

TECHNICAL FEATURES „DIMKING“

- Soft-start for longer lamp lifetime
- Thermoswitch for overheating protection
- Can be mounted on any surface (e.g. wood) as shown by the MM-sign
- Load range: 20–80W, 35–110W, 100–200W, 100–250W
- Digital circuit



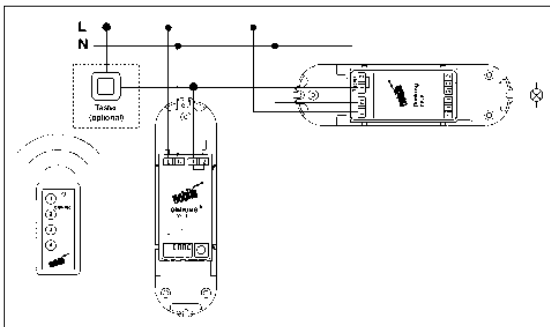
Dimking remote - Remote Control for Dimking TF-F

As an ideal supplement to the Dimking TF-F series, nobilé now offers Dimking remote, the remote control for Dimking. This 4-channel radio controlled remote control enables operation without direct contact between transmitter and receiver, i.e. the receiver can be built into false ceilings. The working range of the system extends up to 10 m. The 4 channels of the Dimking remote system can be selected and combined at the users' discretion. This ensures high flexibility when installing an illumination system operated by remote control



Dimking remote receiver
Dimking remote transmitter

Dimking remote



Part no.	Type	Dimensions
9950020000	Dimking remote receiver	155 x 45 x 33 mm
9950010000	Dimking remote transmitter	80 x 35 x 13 mm

TECHNICAL FEATURES „DIMKING“

- Safety in accordance with EN 61347
- EMI / RFI in accordance with EN 55015
- EMC immunity in accordance with EN 61547
- Safety class II



TF-E SERIES „DIMKING“



SELV
equiv.



TF-E

Series TF-E

Built-in converter for lighting fixtures. Primary and secondary with 15 cm cable. Dimming and switching by touching the sensor area
TF-80E/110E

Part no.	Type	Load	Weight	Dimensions
9099256500	TF-80 E	min. 20, max. 80 Watt	145 g	93.2 x 42.2 x 31.0 mm
9099257200	TF-110 E	min. 35, max. 110 Watt	150 g	93.2 x 42.2 x 31.0 mm

SZ-TF SERIES „DIMKING“



SELV
equiv.



SZ-TF

Series SZ-TF

Independent cord transformer for table and floor luminaires. Primary with 2.0 m cable and Euro plug, secondary with 2.0 m cable. Dimming and switching by touching the sensor area

SZ-80TF/110TF

Part no.	Type	Load	Weight	Dimensions
909920...	SZ-80 TF	min. 20, max. 80 Watt	390 g	154.3 x 47.6 x 32.7 mm
909920...	SZ-110 TF	min. 35, max. 110 Watt	390 g	154.3 x 47.6 x 32.7 mm

TF-R SERIES „DIMKING“



SELV
equiv.



TF-R

Series TF-R

Round built-in converter for lighting fixtures. Primary and secondary with screw terminals. Dimming and switching by touching the sensor area
TF-60R/80R/110R

Part no.	Type	Load	Weight	Dimensions
9099206000	TF-60 R	min. 20, max. 60 Watt	140 g	93.5 x 31.3 mm
9099206500	TF-80 R	min. 20, max. 80 Watt	145 g	93.5 x 31.3 mm
9099207200	TF-110 R	min. 35, max. 110 Watt	175 g	104.5 x 32.5 mm

nobile

Dimmer ED-150 S

Dimmer for built-in purposes with sensor control for 230 V bulbs and high-voltage halogen lamps, respectively

Power supply cable input: 10 cm 2 x 0.75 mm²

Power supply cable output: 20 cm 2 x 0.75 mm²

Sensor wire: 20 cm 1 x 0.75 mm²

Dimming and switching by touching a connected sensor area

3-step dimming cycle

ED-150 S

Part no.	Type	Load	Weight	Dimensions
6981007401	ED-150 S	min. 20, max. 150 VA	65 g	96 x 42 x 20 mm



ED-150 S/ED-150 C

Dimmer

Dimmer ED-150 C

Dimmer for built-in purposes with sensor control for 230 V bulbs and high-voltage halogen lamps, respectively

Power supply cable input: 10 cm 2 x 0.75 mm²

Power supply cable output: 20 cm 2 x 0.75 mm²

Sensor wire: 20 cm 1 x 0.75 mm²

Dimming and switching by touching a connected sensor area

Stepless dimming

ED-150 C

Part no.	Type	Load	Weight	Dimensions
6981007402	ED-150 C	min. 20, max. 150 VA	65 g	96 x 42 x 20 mm

Dimmer ED-150 remote

Independent dimmer operated by remote control for 230 V bulbs and high-voltage halogen lamps, respectively

Dimming and switching through the Dimming remote transmitter

Stepless dimming

ED-150 remote

Part no.	Type	Load	Weight	Dimensions
	ED-150 remote	min. 20, max. 150 VA	150 g	155 x 45 x 33 mm

COMING SOON



Dimmer ED-150 remote receiver
Dimmer ED-150 remote transmitter

As Edison's incandescent lamp did 120 years ago, so the light diode revolutionizes lighting technology today. The economic and technological advantages of LEDs have been known to experts for a long time.

LED

the rapid revolution of

LEDs are the future-oriented alternative to conventional lighting. As an innovative light source for up-to-now unsolvable lighting solutions they have found wide application. nobilé predicted this trend at an early stage and became one of the first lighting firms specialized in LEDs. Today nobilé offers a wide range of LED luminaires and accessories which have been supplemented with various new and innovative products.

Novelties in nobilé's product range:

- Super bright PowerLEDs, technologically advanced, energy-saving and ultra-compact new LEDs of an unprecedented brightness.
- Multi-color diodes in 3 colors (red, green, blue) combined in one single LED. This enables an improved color mixture for RGB-illumination (together with nobilé's LED-RGB sequencer).

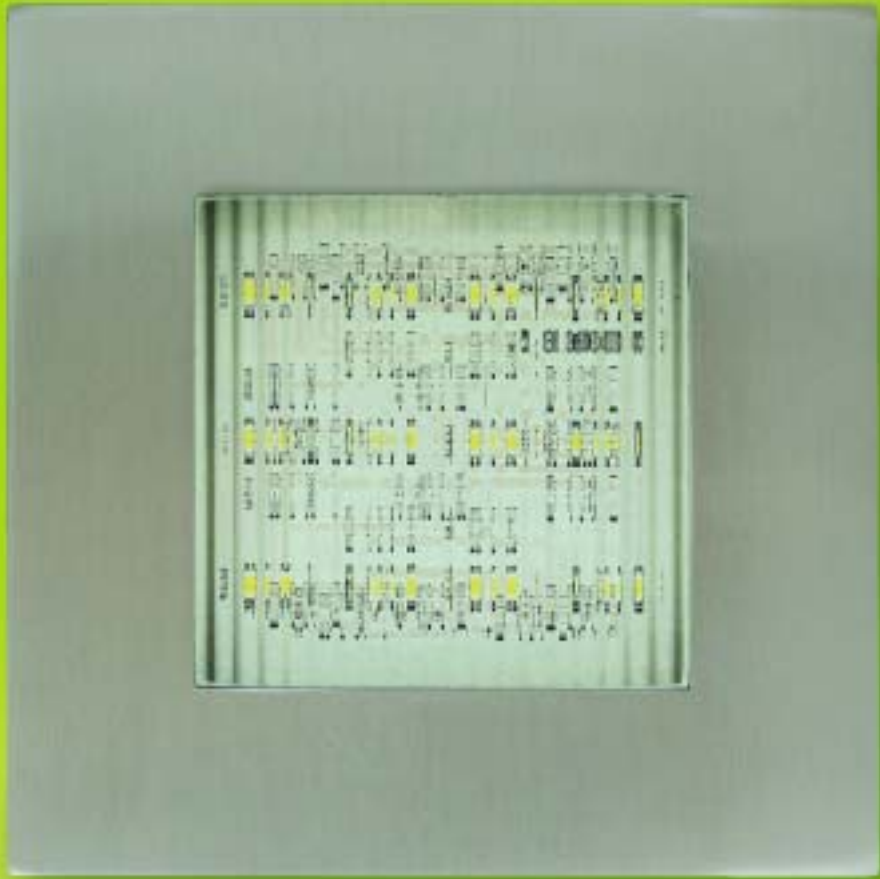
The product range of nobilé is rounded up by already well-known products:

- **Wired LEDs with a narrow beam angle** for high illumination intensity.
- **SMD (surface-mounted device) LEDs with a wide beam angle** for application in very flat fixtures and orientation illumination.

nobile



lighting technology



NEW: PowerLEDs

The PowerLED series offered by nobilé represents the latest achievements in LED technology.

Developed by company Lumileds, USA, the super bright and compact PowerLEDs have once again made a revolutionary turn in LED technology. This technology has been integrated in luminaires and components shown on the following pages.

Fundamental advantages of PowerLEDs:

- High luminous performance
- High lumen/watt ratio
- Good color rendering
- Optical design

In addition to this there are the other known features of LEDs:

- UV- and IR- free light
- Safety low voltage
- High lifetime

Power LEDs are available in 1W and 3W, wattages which recently were considered impossible. Due to the innovative technology, the luminous flux of white diodes can reach up to 30 lm/W which now also makes possible applications to meet high demands.

nobilé's PowerLED Solid Line series offers compact fittings with high light output and optical systems ideally suited for this purpose.

While developing the luminaires, special attention was paid to the thermal operating performance of the LEDs, since optimum temperature management determines high lifetime.

PowerLED Circle offers you the possibility to translate your own creativity into innovative products.

The product range of nobilé is supplemented by devices specially designed for the operation of PowerLEDs.

The progress of technological development in the field of highly efficient PowerLEDs is very fast. The novelties are constantly introduced into production to update the already existing products or result in new products. These novelties can only be taken into consideration in our next catalogue. Therefore, for the latest information on nobilé's LED technology, please visit our website www.nobile.de.

The possibilities are many

Custom made solutions are possible

nobilé is ready to go



92 x 92 mm

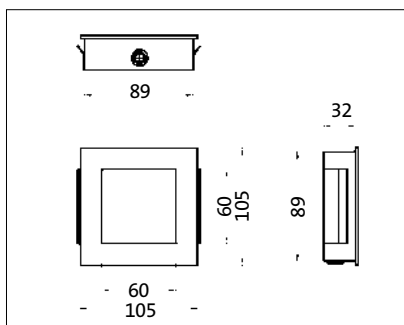
**POWERLED SOLID LINE 7105****PowerLED Solid line 7105-S**

Square PowerLED recessed down-light for wall, floor and ceiling without visible screws including 100 cm cable and housing

Delivery without LED power supply

Frame: stainless steel
 Housing: sheet steel
 Front glass: frosted or corrugated safety glass

Protection class: IP 67



On request also available in other light colors

Part no.	Type	Fitted with	Rated current
1807102022	7105-POW-SS-W	frosted glas, 4 x 1 W PowerLED white	350mA
1807103022	7105-POW-SO-W	corrugated glas, 4 x 1 W PowerLED white	350mA

Coming soon: version with integrated LED power supply



62 mm

**POWERLED SOLID LINE 780****PowerLED Solid line 780-R**

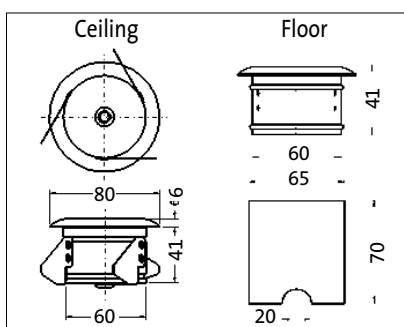
Round PowerLED recessed down-light for ceiling and wall or in combination with installation sleeve (see illustration) for floor mounting including 100 cm cable

Delivery without LED power supply

Ring: stainless steel
 Housing: aluminium
 Front glass: clear
 Reflector: 30°

Protection class: IP 20

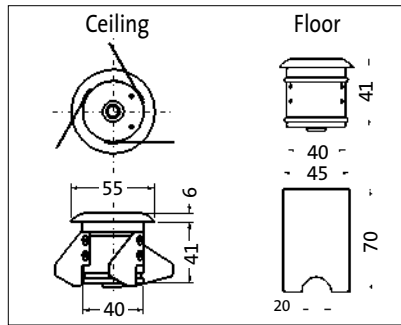
(IP 67 with installation sleeve)



On request also available in other light colors and beam angles

Part no.	Type	Fitted with	Rated current
1807802023	780-POW-RC-W-1	3 x 1 W PowerLED white	350mA
1807812023	780-POW-RC-W-1	3 x 1 W PowerLED white for floor mounting	350mA

Coming soon: version with integrated LED power supply



PowerLED Solid line 755-R

Round PowerLED recessed downlight for ceiling and wall or in combination with installation sleeve (see illustration) for floor mounting including 100 cm cable

Delivery without LED power supply

- Ring: stainless steel
- Housing: aluminium
- Front glass: clear
- Reflector: 30°
- Protection class: IP 20
(IP 67 with installation sleeve)

On request also available in other light colors and beam angles

Part no.	Type	Fitted with	Rated current
1807552024	755-POW-RC-W-1	1 x 1 W PowerLED white	350mA
1807552023	755-POW-RC-W-3	1 x 3 W PowerLED white	700mA
1807562024	755-POW-RC-W-1	1 x 1 W PowerLED white for floor mounting	350mA
1807562023	755-POW-RC-W-3	1 x 3 W PowerLED white for floor mounting	700mA

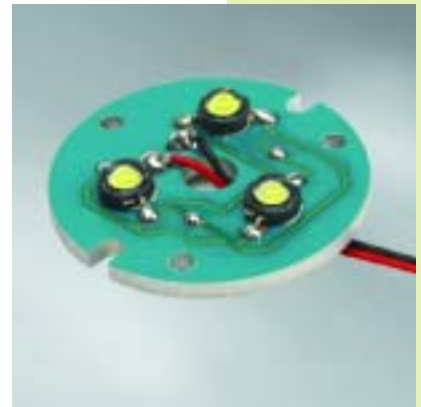
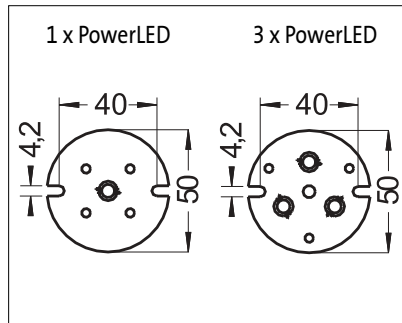
Coming soon: version with integrated LED power supply



PowerLED Circle D50

High lumen output through round PowerLEDs. Round circuit board with 100 cm cable 2 x 0.25 mm²

Fixing: 2 mm border all around
Outer diameter: 50 mm
Height: 8 mm
Power supply: constant-current device



On request also available in other light colors

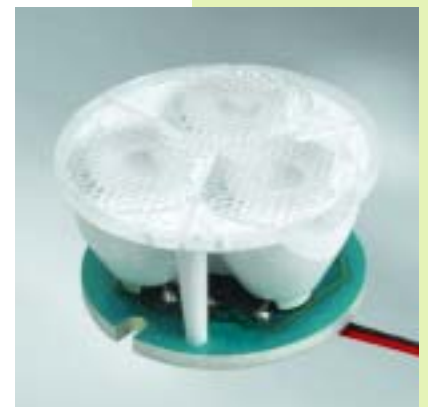
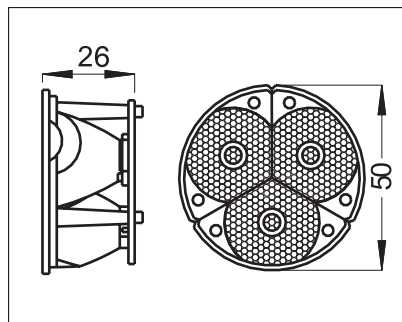
Part no.	Type	No. of LEDs	Beam angle	Power	Rated current
8051161011	D50-POW-1 x 1 W	1 white	110°	1.0 W	350mA
8053161011	D50-POW-3 x 1 W	3 white	110°	3.0 W	350mA
8051361011	D50-POW-1 x 3 W	1 white	110°	3.0 W	700mA
8053361011	D50-POW-3 x 3 W	3 white	110°	9.0 W	700mA

To maintain the lifetime it is necessary to eliminate the heat properly. The modules have to be installed onto suitable heat sinks.

PowerLED Circle D50 with optics

High lumen output through round PowerLEDs. Round circuit board with lens system and 100 cm cable 2 x 0.25 mm²

Fixing: 2 mm border all around
Outer diameter: 50 mm
Height: 26 mm
Power supply: constant-current device



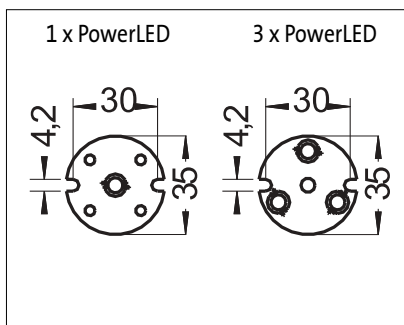
On request also available in other light colors and beam angles

Part no.	Type	No. of LEDs	Beam angle	Power	Rated current
8051171030	D50-POW-1 x 1 W with optics	1 white	30°	1.0 W	350mA
8053171030	D50-POW-3 x 1 W with optics	3 white	30°	3.0 W	350mA
8051371030	D50-POW-1 x 3 W with optics	1 white	30°	3.0 W	700mA
8053371030	D50-POW-3 x 3 W with optics	3 white	30°	9.0 W	700mA

To maintain the lifetime it is necessary to eliminate the heat properly. The modules have to be installed onto suitable heat sinks.

PowerLED Circle





PowerLED Circle D35

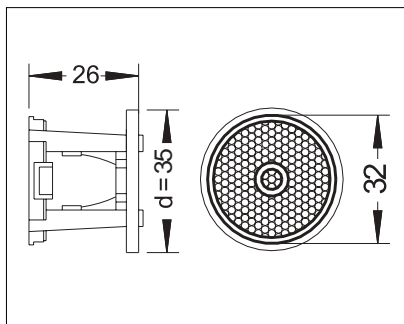
High lumen output through round PowerLEDs. Round circuit board with 100 cm cable 2 x 0.25 mm²

Fixing: 2 mm border all around
 Outer diameter: 35 mm
 Height: 8 mm
 Power supply: constant-current device

On request also available in other light colors

Part no.	Type	No. of LEDs	Beam angle	Power	Rated current
8031161011	D35-POW-1 x 1 W	1 white	110°	1.0 W	350mA
8033161011	D35-POW-3 x 1 W	3 white	110°	3.0 W	350mA
8031361011	D35-POW-1 x 3 W	1 white	110°	3.0 W	700mA
8033361011	D35-POW-3 x 3 W	3 white	110°	9.0 W	700mA

To maintain the lifetime it is necessary to eliminate the heat properly. The modules have to be installed onto suitable heat sinks.



PowerLED Circle D35 with optics

High lumen output through round PowerLEDs. Round circuit board with lens system and 100 cm cable 2 x 0.25 mm²

Fixing: 2 mm border all around
 Outer diameter: 32 mm (optics)
 Outer diameter: 35 mm (circuit board)
 Height: 26 mm
 Power supply: constant-current device

On request also available in other light colors and beam angles

Part no.	Type	No. of LEDs	Beam angle	Power	Rated current
8031161030	D35-POW-1 x 1 W with optics	1 white	30°	1.0 W	350mA
8033161030	D35-POW-3 x 1 W with optics	3 white	30°	3.0 W	350mA
8031361030	D35-POW-1 x 3 W with optics	1 white	30°	3.0 W	700mA
8033361030	D35-POW-3 x 3 W with optics	3 white	30°	9.0 W	700mA

To maintain the lifetime it is necessary to eliminate the heat properly. The modules have to be installed onto suitable heat sinks.



EL-350 / EL-700

EL-350 / EL-700

Independent electronic converter for PowerLED modules. Can also be built into fittings, furniture etc.

Primary: covered screw terminals

Secondary: covered screw terminals

Input voltage: 230 V AC/DC/50/60Hz

Output voltage: 2.8 - 12 V



Part no.	Type	Constant-current	Power	Dimensions
8999023500	EL-350	350mA	1 – 4 PowerLED 1W	86 x 35 x 19 mm
8999027000	EL-700	700mA	1 – 3 PowerLED 3W	86 x 35 x 19 mm

PowerLED power supply



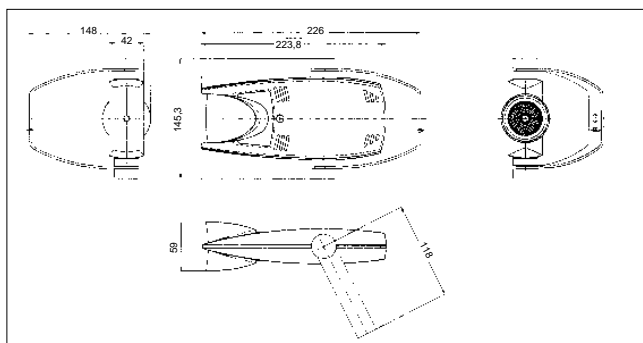
Lecto PowerLED titanium matte



Lecto PowerLED

The Lecto projector is designed for the illumination of high-value objects and materials. It is now available with ultra-bright PowerLEDs. With up to 30 lm/W, the efficiency of the PowerLED is the same as the efficiency of conventional halogen lamps. And all that with an extremely long lifetime of the LEDs. Lecto is a projector in modern design with built-in electronic control gear. Lecto is available with an adaptor for commercial three-phase tracks or for wall-/ceiling mounting

Material: aluminium die-cast
 Surface: powder coated



Part no.	Type	Version
177200....	PowerLED 3x1 W white	with adaptor
177200....	PowerLED 3x1 W white	for wall-/ceiling mounting

On request also available in other LED colors

TECHNICAL FEATURES

- Fitted with PowerLEDs 3 x 1W
- Adaptor for commercial three-phase tracks or for wall-/ceiling mounting
- Electronic power supply 1 – 4 W
- Revolving 350°, adjusting 180°
- Weight: about 750 g
- Delivery including PowerLEDs





70 mm



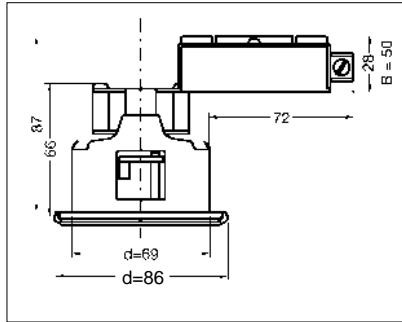
IP 65



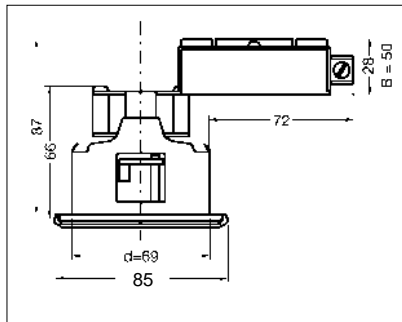
Recessed Downlight WT 50 IP 65

WT 50 LED is now available with even more luminous intensity, thanks to PowerLEDs. With up to 30 lm/W, the efficiency of the PowerLED is the same as the efficiency of conventional halogen lamps. And all that with an extremely long lifetime of the LEDs. Besides, there are the well-known advantages of the WT 50:

- Ideal for use in indoor and outdoor humid areas
- Dustproof and water jet protected (IP 65)
- Aluminium die cast
- Available in two versions (round and square) with a wide range of housing colors



WT 50 PowerLED round matte chrome



WT 50 PowerLED square matte chrome

Recessed downlight, water jet protected, fitted with PowerLEDs, **including LED power supply**

- Housing: aluminium die cast with removable front part
- Surface: powder coated or galvanized
- Front glass: clear, tempered glass 3 mm
- Washer: non-ageing silicone
- Protection class: IP 65 (only if built-in)
- Fitted with: 1 x 1W PowerLED
3 x 1W PowerLED
- Power supply: 350mA constant current device, built in
- Input voltage: 230 V AC
- Efficiency: up to 30 lm/W
- Ambient temperature: min. - 30°C
max. + 65°C

Part no.	Type	Fitted with	LED color*	Voltage
158750....	WT 50 PowerLED round	1 x 1 W	white	230 V AC
158750....	WT 50 PowerLED round	3 x 1 W	white	230 V AC
158800....	WT 50 PowerLED square	1 x 1 W	white	230 V AC
158800....	WT 50 PowerLED square	3 x 1 W	white	230 V AC

* Other PowerLED light colors available upon request

Complete, functional, effective

With its extensive range of compact luminaires, nobilé displays **new dimensions of lighting for commercial and private use.**

The spectrum of application possibilities of these LED products is endless.

nobilé luminaires are utilized for:

- Atmospheric highlighting of architectural sites
- Effective beaming of particular zones on the floor, ceiling and walls
- Illumination of entryways utilizing markings and pathway lighting

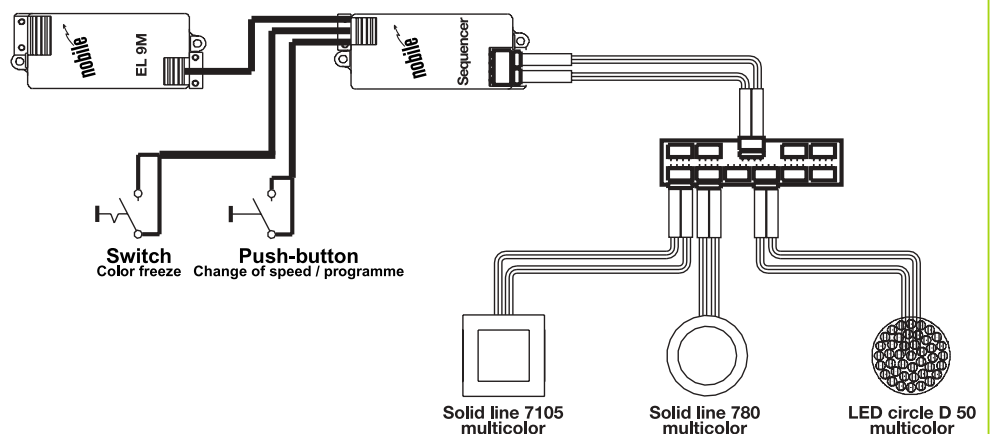
For all types of applications nobilé offers the fitting product line.

- Solid line LED 700 series
- Solid line LED 800 series
- Wallwasher series
- WT 50 LED Downlight
- Walker LED

nobilé LED luminaires are supplied in the following versions:

- High-Brightness LEDs in various light colors with direct connection to the mains using an integrated voltage converter for 230 V
- High-Brightness LEDs in various light colors to be connected to an external converter of 24 V DC
- Multicolor LEDs for RGB operation with nobilé sequencer
- Super bright PowerLEDs

More light-ambience through multicolor LED-technology



Multicolor modules or luminaires can be controlled by connecting the nobilé sequencer to the nobilé power supply. In case several multicolor components need to be connected, an additional multicolor distributor should be used for operation.



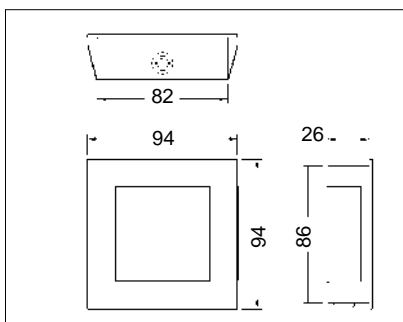
90 x 90 mm

**WALLWASHER Q1****Wallwasher Q1**

Square LED pathway luminaire with wall flooding characteristics including cable 100 cm with subminiature connector and housing

Delivery without LED power supply

Frame: sheet steel powder coated
 Housing: sheet steel
 Reflector: aluminium powder coated
 Protection class: IP 20



Wallwasher Q1

Part no.	Type	Fitted with	Voltage	Power
173110....	Wallwasher Q1	6 SMD-LED white	24 V DC	max. 0.5 W
173110....	Wallwasher Q1	6 SMD-LED blue	24 V DC	max. 0.5 W
173110....	Wallwasher Q1	6 SMD-LED multicolor	24 V DC	max. 1.5 W*

* Power max. 0.5 W when using nobilé sequencer



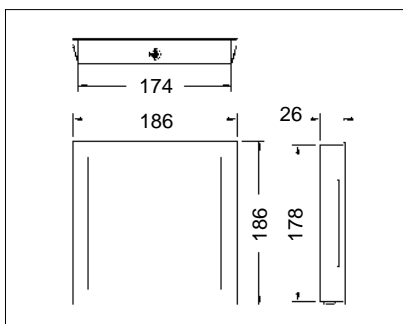
180 x 180 mm

**WALLWASHER Q2****Wallwasher Q2**

Square LED pathway luminaire with wall flooding characteristics including cable 100 cm with subminiature connector and housing

Delivery without LED power supply

Frame: sheet steel powder coated
 Housing: sheet steel
 Reflector: aluminium powder coated
 Protection class: IP 20



Wallwasher Q2

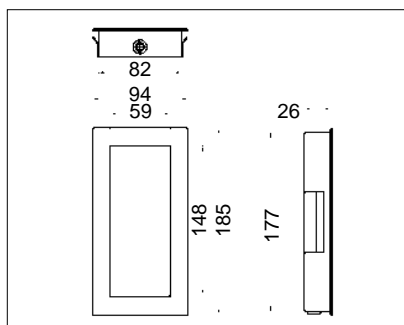
Part no.	Type	Fitted with	Voltage	Power
173120....	Wallwasher Q2	12 SMD-LED white	24 V DC	max. 1.0 W
173120....	Wallwasher Q2	12 SMD-LED blue	24 V DC	max. 1.0 W
173120....	Wallwasher Q2	12 SMD-LED multicolor	24 V DC	max. 3.0 W*

* Power max. 1.0 W when using nobilé sequencer

WALLWASHER R1



Wallwasher R1



Wallwasher R1

Rectangular LED pathway luminaire with wall flooding characteristics including cable 100 cm with subminiature connector and housing

Delivery without LED power supply

- Frame: sheet steel powder coated
- Housing: sheet steel
- Reflector: aluminium powder coated
- Protection class: IP 20



Wallwasher

Part no.	Type	Fitted with	Voltage	Power
173100....	Wallwasher R1	6 SMD-LED white	24 V DC	max. 0.5 W
173100....	Wallwasher R1	6 SMD-LED blue	24 V DC	max. 0.5 W
173100....	Wallwasher R1	6 SMD-LED multicolor	24 V DC	max. 1.5 W*

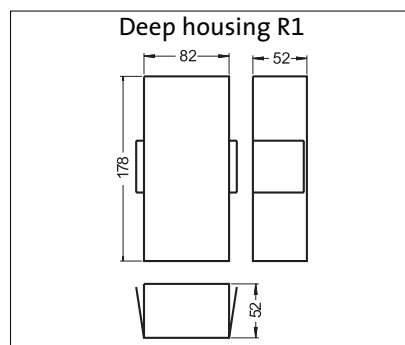
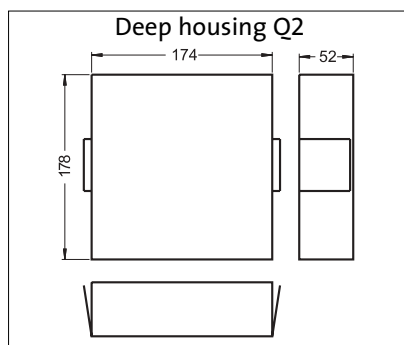
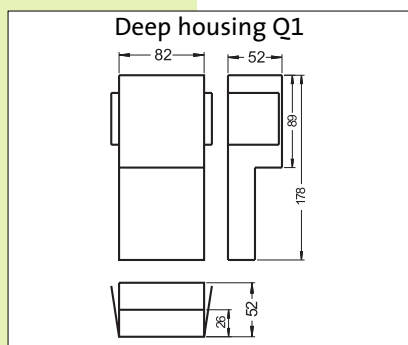
* Power max. 0.5 W when using nobilé sequencer

WALLWASHER ACCESSORIES: HOUSINGS

Wallwasher Accessory: Housings

Alternative housing for the luminaires of the Wallwasher series. Because of the bigger recessed depth a LED power supply and a sequencer can be integrated into the housing

Part no.	Type
1731109900	Deep housing Q1
1731209900	Deep housing Q2
1731009900	Deep housing R1





92 x 92 mm

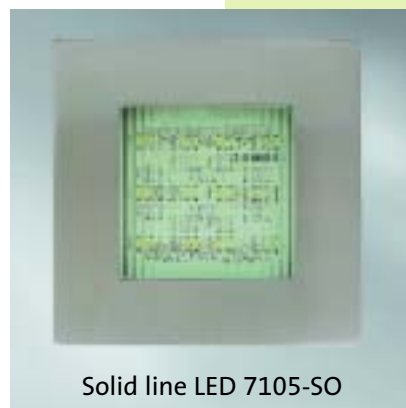
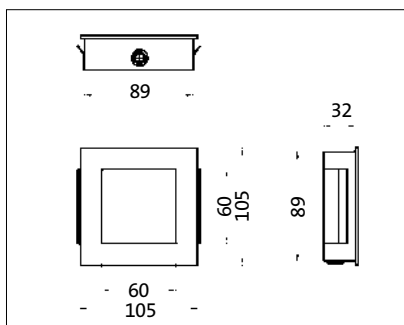
**SOLID LINE LED 7105****Solid line LED 7105-S**

Square LED downlight for wall, floor and ceiling without visible screws including 100 cm cable with sub-miniature connector and housing
Delivery without LED power supply

Frame: stainless steel
 Housing: sheet steel
 Front glass: frosted or corrugated safety glass

Protection class: IP 67

On request also available in other frame colors



Solid line LED 7105-SO

Part no.	Type	Fitted with	Voltage	Power
1807102014	7105-SS-W	frosted glass, 12 SMD-LED white	24 V DC	max. 1.0 W
1807102090	7105-SS-RGB	frosted glass, 12 SMD-LED multicolor	24 V DC	max. 3.0 W*
1807103014	7105-SO-W	corrugated glass, 12 SMD-LED white	24 V DC	max. 1.0 W
1807103090	7105-SO-RGB	corrugated glass, 12 SMD-LED multicolor	24 V DC	max. 3.0 W*

* Power max. 1.0 W when using nobil  sequencer



62 mm

**SOLID LINE LED 780****Solid line LED 780-R**

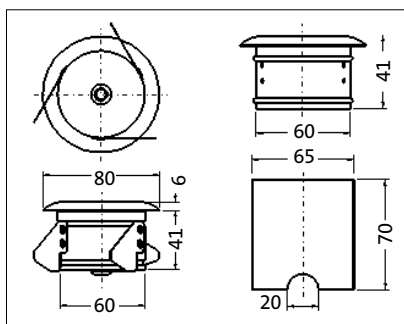
Round LED downlight for ceiling and wall or in combination with the installation sleeve (see illustration) for floor mounting including 100 cm cable with subminiature connector
Delivery without LED power supply

Ring: stainless steel
 Housing: aluminium
 Front glass: frosted or corrugated safety glass

Protection class: IP 20

(IP 67 with installation sleeve)

On request also available in other frame colors



Solid line LED 780-RS

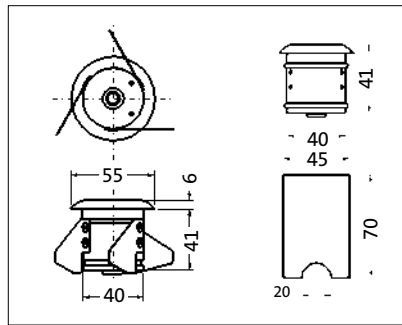
Part no.	Type	Fitted with	Voltage	Power
1807802014	780-RS-W	frosted glass, 12 SMD-LED white	24 V DC	max. 1.0 W
1807802090	780-RS-RGB	frosted glass, 12 SMD-LED multicolor	24 V DC	max. 3.0 W*
1807812014	780-RS-W	frosted glass, 12 SMD-LED white for floor mounting	24 V DC	max. 1.0 W
1807812090	780-RS-RGB	frosted glass, 12 SMD-LED multicolor for floor mounting	24 V DC	max. 3.0 W*
1807803014	780-RO-W	corrugated glass, 12 SMD-LED white	24 V DC	max. 1.0 W
1807803090	780-RO-RGB	corrugated glass, 12 SMD-LED multicolor	24 V DC	max. 3.0 W*
1807813014	780-RO-W	corrugated glass, 12 SMD-LED white for floor mounting	24 V DC	max. 1.0 W
1807813090	780-RO-RGB	corrugated glass, 12 SMD-LED multicolor for floor mounting	24 V DC	max. 3.0 W*

* Power max. 1.0 W when using nobil  sequencer

SOLID LINE LED 755



Solid line LED 755-RS



Solid line LED 755-R

Round LED downlight for ceiling and wall or in combination with installation sleeve (see illustration) for floor mounting including 100 cm cable with subminiature connector

Delivery without LED power supply

Ring: stainless steel
 Housing: aluminium
 Front glass: frosted or corrugated safety glass
 Protection class: IP 20
 (IP 67 with installation sleeve)

On request also available in other frame colors

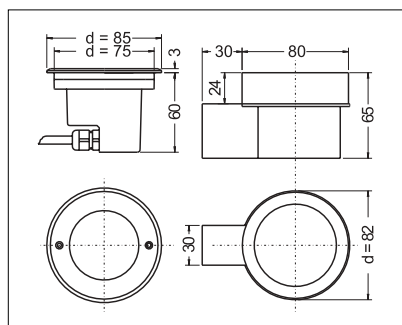
Part no.	Type	Fitted with	Voltage	Power
1807552017	755-RS-W	frosted glass, 6 SMD-LED white	24 V DC	max. 0.5 W
1807552090	755-RS-RGB	frosted glass, 6 SMD-LED multicolor	24 V DC	max. 1.5 W*
1807562017	755-RS-W	frosted glass, 6 SMD-LED white for floor mounting	24 V DC	max. 0.5 W
1807562090	755-RS-RGB	frosted glass, 6 SMD-LED multicolor for floor mounting	24 V DC	max. 1.5 W*
1807553017	755-RO-W	corrugated glass, 6 SMD-LED white	24 V DC	max. 0.5 W
1807553090	755-RO-RGB	corrugated glass, 6 SMD-LED multicolor	24 V DC	max. 1.5 W*
1807563017	755-RO-W	corrugated glass, 6 SMD-LED white for floor mounting	24 V DC	max. 0.5 W
1807563090	755-RO-RGB	corrugated glass, 6 SMD-LED multicolor for floor mounting	24 V DC	max. 1.5 W*

* Power max. 0.5 W when using nobilé sequencer

SOLID LINE LED 885



Solid line LED 885-RC



Solid line LED 885-R

Round LED downlight for floors, IP67, with integrated power supply including 150 cm cable, screwed cable connection and installation sleeve (see illustration)

Ring: stainless steel
 Housing: aluminium die cast
 Front glass: frosted or clear
 Protection class: IP 67

Part no.	Type	Fitted with	Voltage	Power
1588852000	885-RS	frosted glass, 13 SMD-LED white	230 V / 50 Hz	max. 1.3 W
1588851000	885-RC	clear glass, 13 SMD-LED white	24 V DC 50 Hz	max. 1.3 W

nobile

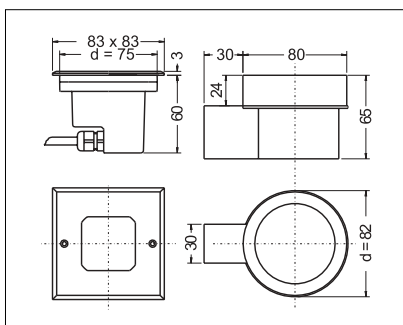


SOLID LINE LED 883

Solid line LED 883-S

Square LED downlight for floors, IP67, with integrated led power supply, including 150 cm cable, screwed cable connection and housing (see illustration)

Ring: stainless steel
 Housing: aluminium die cast
 Front glass: frosted or clear
 Protection class: IP 67



Solid line LED 883-SC

Part no.	Type	Fitted with	Voltage	Power
1588832000	883-SS	frosted glass, 13 SMD-LED white	230 V / 50 Hz	max. 1.3 W
1588831000	883-SC	clear glass, 13 SMD-LED white	24 V DC 50 Hz	max. 1.3 W

Solid line

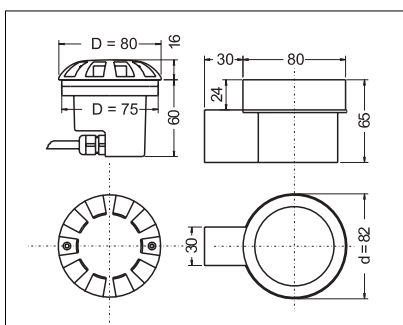


SOLID LINE LED 880-A

Solid line LED 880-A

Round LED downlight for floors, IP67, with additional safety cap and integrated led power supply, including 150 cm cable, screwed cable connection and housing (see illustration)

Safety cap: aluminium die cast
 Housing: aluminium die cast
 Openings: clear polycarbonate (PC)
 Protection class: IP 67



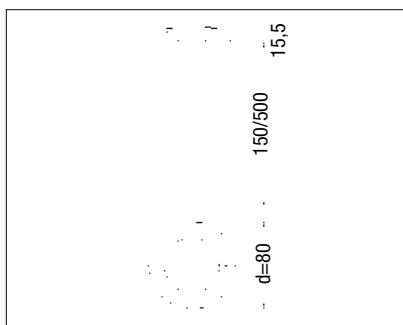
Solid line LED 880-A

Part no.	Type	Fitted with	Voltage	Power
1588801010	880-A	10 LED white	230 V / 50 Hz	max. 1 W

SOLID LINE LED 880-B



Solid line LED 880-B



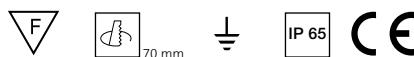
Solid line LED 880-B

Round LED bollard luminaire, IP67, with safety cap and integrated Led power supply, including 150 cm cable and screwed cable connection

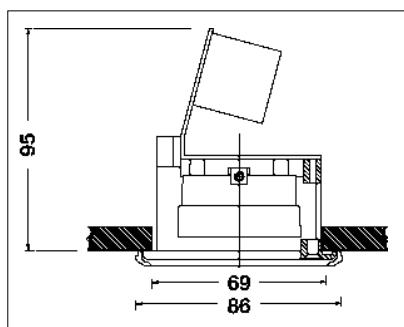
Safety cap: aluminium die cast
 Housing: aluminium die cast
 Openings: clear polycarbonate (PC)
 Protection class: IP 67

Part no.	Type	Fitted with	Voltage	Power
1588810200	880-B	Bollard 150 mm, 10 LED white	230 V / 50 Hz	max. 1 W
1588810500	880-B	Bollard 500 mm, 10 LED white	24 V DC 50 Hz	max. 1 W

WT 50 LED DOWNLIGHT



Downlight, water jet protected, with LED



WT 50 LED Downlight, IP 65

Downlight, water jet protected, with LED 1.3 W

Delivery including LED power supply

Housing: aluminium die cast with removable front part
 Surface: powder coated or galvanized
 Front glass: clear, tempered glass, 3 mm
 Washer: non-ageing silicone
 Protection class: IP 65 (if built-in)

WT 50 PowerLED fitted with 1 x 1 oder 3 x 1 W please see page 61

Part no.	Type	Fitted with	Voltage	Power
158700....	WT 50 LED	13 SMD-LED white	230 V / 50 Hz	1.3 W





Walker LED floor-mount downlight, IP 68

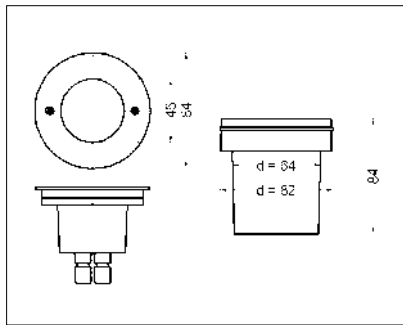
Round downlight for floors, IP 68, fitted with LEDs including 2 screwed cable connections and housing

Delivery without LED power supply

- Ring: aluminium die cast galvanized
- Ring color: brushed nickel
- Front glass: polycarbonate (PC) slightly frosted
- Housing: thermoplastic
- Recessed housing: thermoplastic
- Screws: stainless steel
- Protection class: IP 68
- Rated voltage: 24 V DC
- Loading capacity: up to circa 1000 kg

On request also available other ring colors

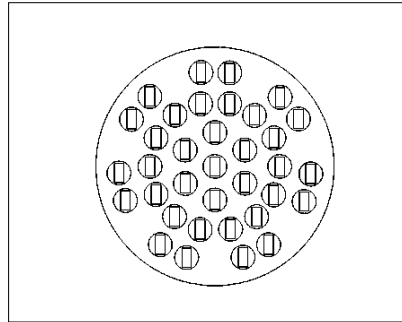
Attention: For connection use cable type H05RN-F 2 x 1.0 mm²



Part no.	Type	Fitted with	Voltage	Power
1915591000	Walker LED W	9 SMD-LED white	24 V DC	1.2 W
1915596000	Walker LED R	9 SMD-LED red	24 V DC	1.2 W
1915590700	Walker LED B	9 SMD-LED blue	24 V DC	1.2 W



Circle D50 wired



Circle D50 – wired

High lumen output through High Brightness LEDs. Round PCB with 100 cm cable 2 x 0.25 mm², and subminiature connector suitable for nobile power supply

Fixing: 2 mm border all around
 Outer diameter: 50 mm
 Height: 15 mm
 Rated voltage: 24 V DC

Upon request also available different amounts of leds per PCB and other led colors

Part no.	Type	No. of LEDs	LED color	Beam angle	Power
8051851020	D50-18	18	white	20°	1.5 W
8051851050	D50-18	18	white	50°	1.5 W
8051857030	D50-18	18	blue	30°	1.5 W
8051855030	D50-18	18	green	30°	1.5 W
8052451020	D50-24	24	white	20°	2.0 W
8052451050	D50-24	24	white	50°	2.0 W
8052457030	D50-24	24	blue	30°	2.0 W
8052455030	D50-24	24	green	30°	2.0 W
8053051020	D50-30	30	white	20°	2.5 W
8053051050	D50-30	30	white	50°	2.5 W
8053057030	D50-30	30	blue	30°	2.5 W
8053055030	D50-30	30	green	30°	2.5 W
8053651020	D50-36	36	white	20°	3.0 W
8053651050	D50-36	36	white	50°	3.0 W
8053657030	D50-36	36	blue	30°	3.0 W
8053655030	D50-36	36	green	30°	3.0 W
8054251020	D50-42	42	white	20°	3.5 W
8054251050	D50-42	42	white	50°	3.5 W
8054257030	D50-42	42	blue	30°	3.5 W
8054255030	D50-42	42	green	30°	3.5 W



Circle D35 – wired

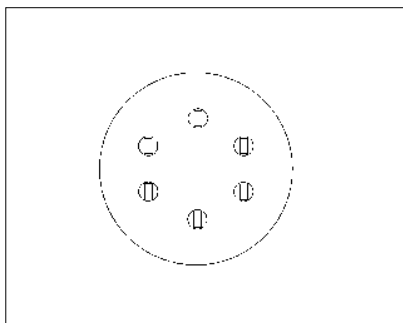
High lumen output through High Brightness LEDs. Round PCB with 100 cm cable 2 x 0.25 mm², and subminiature connector suitable for nobile power supply

Fixing: 2 mm border all around

Outer diameter: 35 mm

Height: 15 mm

Rated voltage: 24 V DC

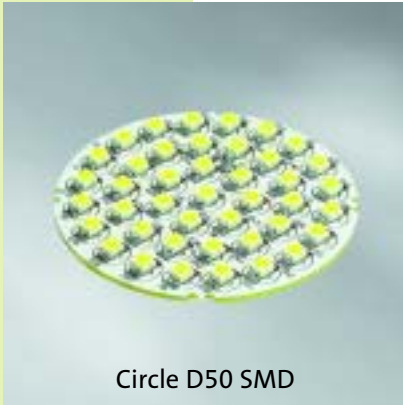


Circle D35 wired

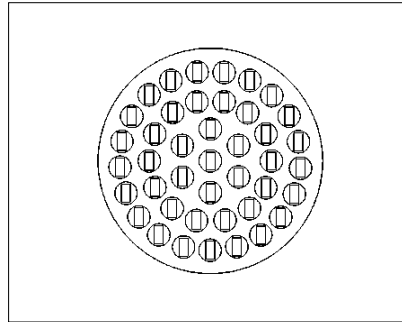
Upon request also available different amounts of leds per PCB and other led colors

Part no.	Type	No. of LEDs	LED color	Beam angle	Power
8030651020	D35-6	6	white	20°	0.5 W
8030651050	D35-6	6	white	50°	0.5 W
8030650730	D35-6	6	blue	30°	0.5 W
8030655030	D35-6	6	green	30°	0.5 W
8031251020	D35-12	12	white	20°	1.0 W
8031251050	D35-12	12	white	50°	1.0 W
8031250730	D35-12	12	blue	30°	1.0 W
8031255030	D35-12	12	green	30°	1.0 W





Circle D50 SMD



Circle D50 SMD

High lumen output through High Brightness LEDs. Round PCB with 100 cm cable 2 x 0.25 mm² (multicolor 4 x 0.25 mm²), and subminiature connector suitable for nobilè LED power supply

Fixing: 2 mm border all around
 Outer diameter: 50 mm
 Height: 6 mm
 7 mm (multicolor)
 Rated voltage: 24 V DC

Upon request also available different amounts of leds per PCB and other led colors

Part no.	Type	No. of LEDs	LED color	Beam angle	Power
8051801011	D50-SMD-18	18	white	105°/110°	1.5 W
8051807015	D50-SMD-18	18	blue	120°/125°	1.5 W
8051805015	D50-SMD-18	18	green	120°/125°	1.5 W
8052401011	D50-SMD-24	24	white	105°/110°	2.0 W
8052407015	D50-SMD-24	24	blue	120°/125°	2.0 W
8052405015	D50-SMD-24	24	green	120°/125°	2.0 W
8053001011	D50-SMD-30	30	white	105°/110°	2.5 W
8053007015	D50-SMD-30	30	blue	120°/125°	2.5 W
8053005015	D50-SMD-30	30	green	120°/125°	2.5 W
8053601011	D50-SMD-36	36	white	105°/110°	3.0 W
8053607015	D50-SMD-36	36	blue	120°/125°	3.0 W
8053605015	D50-SMD-36	36	green	120°/125°	3.0 W
8054201011	D50-SMD-42	42	white	105°/110°	3.5 W
8054207015	D50-SMD-42	42	blue	120°/125°	3.5 W
8054205015	D50-SMD-42	42	green	120°/125°	3.5 W



Circle D50 multicolor

Part no.	Type	No. of LEDs	LED color	Beam angle	Power
8050699918	D50-multicolor-6	6	multicolor	100°	1.5 W/0.5 W*
8051299918	D50-multicolor-12	12	multicolor	100°	3.0 W/1.0 W*
8051899918	D50-multicolor-18	18	multicolor	100°	4.5 W/1.5 W*

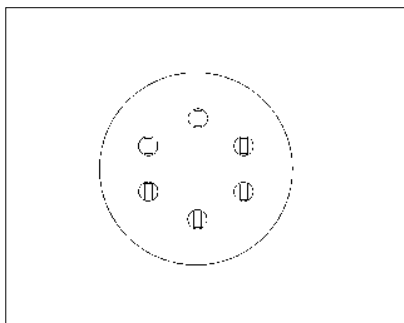
* when using nobilè sequencer



Circle D35 SMD

High lumen output through High Brightness LEDs. Round PCB with 100 cm cable 2 x 0.25 mm² (multicolor 4 x 0.25 mm²), and subminiature connector suitable for nobilé LED power supply

Fixing: 2 mm border all around
Outer diameter: 35 mm
Height: 6 mm
7 mm (multicolor)
Rated voltage: 24 V DC



Circle D35 SMD

Upon request also available different amounts of leds per PCB and other led colors

Part no.	Type	No. of LEDs	LED color	Beam angle	Power
8030601011	D35-SMD-6	6	white	105°/110°	0.5 W
8030600715	D35-SMD-6	6	blue	120°	0.5 W
8030605015	D35-SMD-6	6	green	120°	0.5 W
8031201011	D35-SMD-12	12	white	105°/110°	1.0 W
8031200715	D35-SMD-12	12	blue	120°	1.0 W
8031205015	D35-SMD-12	12	green	120°	1.0 W

Part no.	Type	No. of LEDs	LED color	Beam angle	Power
8030699918	D35-multicolor-6	6	multicolor	100°	1.5 W/0.5 W*

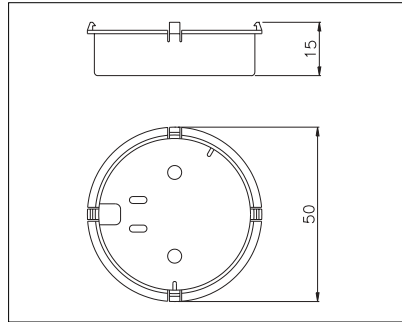
* when using nobilé sequencer



Circle D35 multicolor



PROTECTION HOUSING



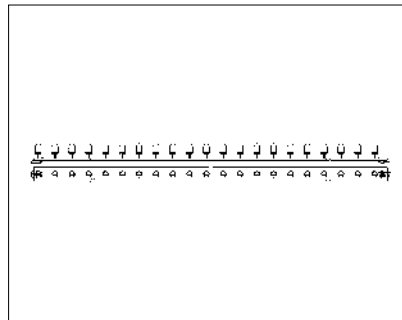
Protection housing

For easy installation of LED Circle D 50

Part no.

8999981300

LED LINE 300



Line 300

High lumen output through High Brightness LEDs. PCB with subminiature connector suitable for nobilé LED power supply. On the opposite side, socket to connect several line modules to longer rows

Fixing: 3 openings for screws
 Dimensions: 300 x 10.5 mm
 Height: 15 mm
 Rated voltage: 24 V DC

Upon request also available different amounts of leds per PCB and other led colors

Part no.	Type	No. of LEDs	LED color	Beam angle	Power
8301851020	L300x10.5-18	18	white	20°	1.5 W
8301851050	L300x10.5-18	18	white	50°	1.5 W
8301857030	L300x10.5-18	18	blue	30°	1.5 W
8301855030	L300x10.5-18	18	green	30°	1.5 W
8303051020	L300x10.5-30	30	white	20°	2.5 W
8303051050	L300x10.5-30	30	white	50°	2.5 W
8303057030	L300x10.5-30	30	blue	30°	2.5 W
8303055030	L300x10.5-30	30	green	30°	2.5 W
8303651020	L300x10.5-36	36	white	20°	3.0 W
8303651050	L300x10.5-36	36	white	50°	3.0 W
8303657030	L300x10.5-36	36	blue	30°	3.0 W
8303655030	L300x10.5-36	36	green	30°	3.0 W
8304251020	L300x10.5-42	42	white	20°	3.5 W
8304251050	L300x10.5-42	42	white	50°	3.5 W
8304257030	L300x10.5-42	42	blue	30°	3.5 W
8304255030	L300x10.5-42	42	green	30°	3.5 W

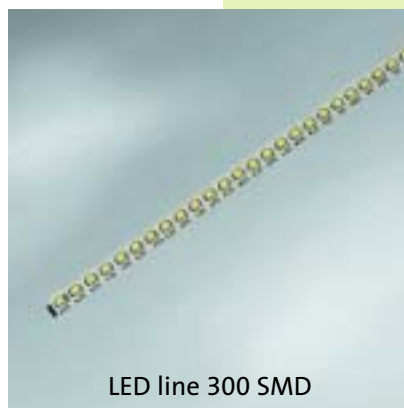
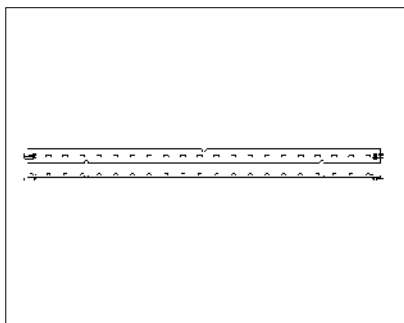
nobile



Line 300 SMD

High lumen output through High Brightness LEDs. PCB with subminiature connector suitable for nobile LED power supply. On the opposite side, socket to connect several line modules to longer rows

- Fixing: 3 openings for screws
- Dimensions: 300 x 10.5 mm
- Height: 5 mm
7 mm (multicolor)
- Rated voltage: 24 V DC



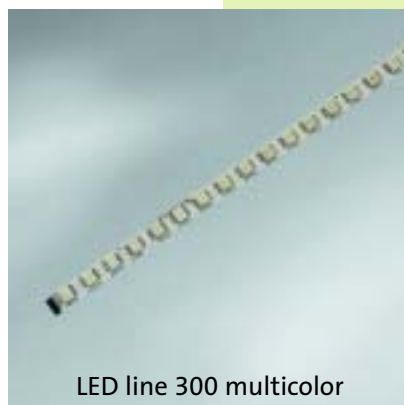
LED line 300 SMD

Upon request also available different amounts of leds per PCB and other led colors

Part no.	Type	No. of LEDs	LED color	Beam angle	Power
8301801011	L300x10.5-SMD-18	18	white	105°/110°	1.5 W
8301807015	L300x10.5-SMD-18	18	blue	120°/125°	1.5 W
8301805015	L300x10.5-SMD-18	18	green	120°/125°	1.5 W
8303001011	L300x10.5-SMD-30	30	white	105°/110°	2.5 W
8303007015	L300x10.5-SMD-30	30	blue	120°/125°	2.5 W
8303005015	L300x10.5-SMD-30	30	green	120°/125°	2.5 W
8303601011	L300x10.5-SMD-36	36	white	105°/110°	3.0 W
8303607015	L300x10.5-SMD-36	36	blue	120°/125°	3.0 W
8303605015	L300x10.5-SMD-36	36	green	120°/125°	3.0 W
8304201011	L300x10.5-SMD-42	42	white	105°/110°	3.5 W
8304207015	L300x10.5-SMD-42	42	blue	120°/125°	3.5 W
8304205015	L300x10.5-SMD-42	42	green	120°/125°	3.5 W

Part no.	Type	No. of LEDs	LED color	Beam angle	Power
8301299918	L300x10.5-multicolor-12	12	multicolor	100°	3.0 W/1.0 W*
8302499918	L300x10.5-multicolor-24	24	multicolor	100°	6.0 W/2.0 W*

* when using nobile sequencer



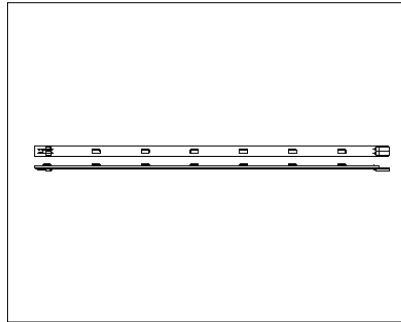
LED line 300 multicolor



LED LINE 210 SMD



LED line 210 SMD



Line 210 SMD

High lumen output through High Brightness LEDs. PCB with subminiature connector suitable for nobile LED power supply. On the opposite side, socket to connect several line modules to longer rows

Dimensions: 210 x 6 mm
 Height: 6 mm
 Rated voltage: 24 V DC

Upon request also available different amounts of leds per PCB and other led colors

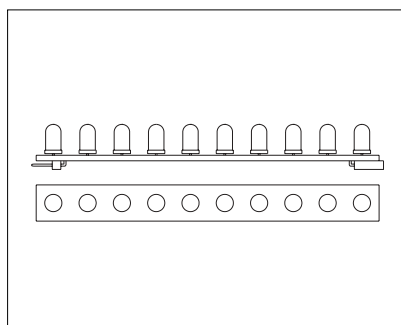
Part no.	Type	No. of LEDs	LED color	Beam angle	Power
8210601011	L210x6-SMD-6	6	white	105°/110°	0.5 W
8210607015	L210x6-SMD-6	6	blue	120°/125°	0.5 W
8210605015	L210x6-SMD-6	6	green	120°/125°	0.5 W
8211201011	L210x6-SMD-12	12	white	105°/110°	1.0 W
8211207015	L210x6-SMD-12	12	blue	120°/125°	1.0 W
8211205015	L210x6-SMD-12	12	green	120°/125°	1.0 W

LED Line

LED LINE 100



LED line 100



Line 100

High lumen output through High Brightness LEDs. PCB with subminiature connector suitable for nobile LED power supply. On the opposite side, socket to connect several line modules to longer rows

Dimensions: 100 x 10.5 mm
 Height: 15 mm
 Rated voltage: 24 V DC

Upon request also available different amounts of leds per PCB and other led colors

Part no.	Type	No. of LEDs	LED color	Beam angle	Power
8101251020	L100x10.5-12	12	white	20°	1.0 W
8101251050	L100x10.5-12	12	white	50°	1.0 W
8101257030	L100x10.5-12	12	blue	30°	1.0 W
8101255030	L100x10.5-12	12	green	30°	1.0 W

nobile

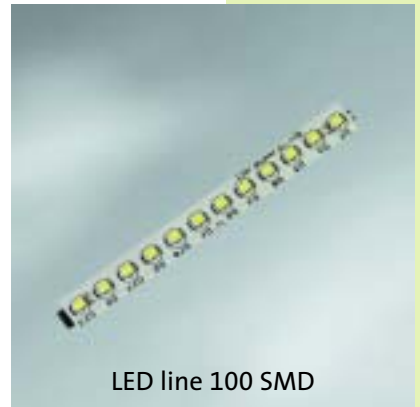
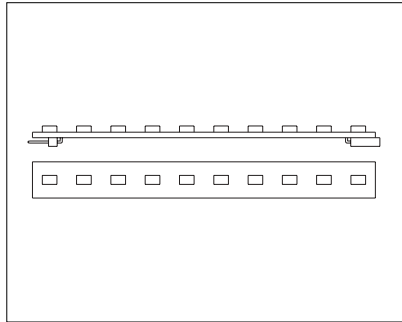


LED LINE 100 SMD

Line 100 SMD

High lumen output through High Brightness LEDs. PCB with subminiature connector suitable for nobile LED power supply. On the opposite side, socket to connect several line modules to longer rows

Dimensions: 100 x 10.5 mm
 Height: 6 mm
 7 mm (multicolor)
 Rated voltage: 24 V DC



LED line 100 SMD

Upon request also available different amounts of leds per PCB and other led colors

Part no.	Type	No. of LEDs	LED color	Beam angle	Power
8101201011	L100x10.5-SMD-12	12	white	105°/110°	1.0 W
8101207015	L100x10.5-SMD-12	12	blue	120°	1.0 W
8101205015	L100x10.5-SMD-12	12	green	120°	1.0 W

Part no.	Type	No. of LEDs	LED color	Beam angle	Power
8100899918	L100x10.5-multicolor-8	8	multicolor	100°	2.1 W/0.7 W*

* when using nobile sequencer



LED line 100 multicolor

LED Line / LED profile



LED PROFILE A

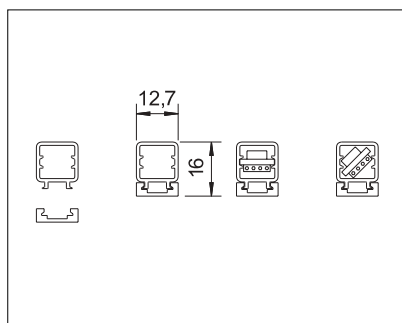
LED profile A

Clear polycarbonate profile 12.7 x 12.7 mm for LED line SMD with a width of 10.5 mm, fitted with max. 8 LEDs per 100 mm

Including aluminium carrier profile

Angle of PCB: 45° or 90°

End caps have to be ordered separately

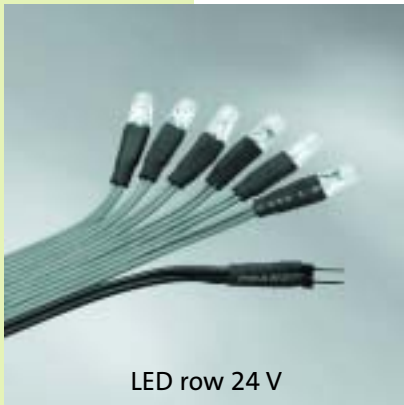


LED profile A

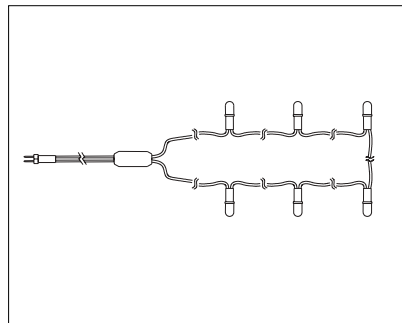
Part no.	Type	Length
2101	LED profile A	1 m
2102	LED profile A	2 m
8999900129	End cap	



LED ROW 24 V



LED row 24 V



Row 24 V

Especially designed to create the „starry sky effect“. High lumen output through High Brightness LEDs. Length: 200 cm, with subminiature connector suitable for nobile LED power supply

Height: 15 mm

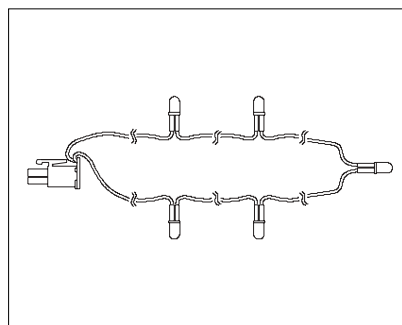
Upon request also available different amounts of leds and other led colors

Part no.	Type	No. of LEDs	LED color	Beam angle	Voltage	Power
8000651020	Row 6, 24V	6	white	20°	24 V DC	0.5 W
8000651050	Row 6, 24V	6	white	50°	24 V DC	0.5 W
8000657030	Row 6, 24V	6	blue	30°	24 V DC	0.5 W
8000655030	Row 6, 24V	6	green	30°	24 V DC	0.5 W

LED ROW 12 V



LED row 12 V



Row 12 V

Especially designed to create the „starry sky effect“ in combination with low voltage halogen lamps. High lumen output through High Brightness LEDs. Supply directly from electronic transformer for LV-halogen in combination with LV-halogen lamps, taking into account the minimum load of the transformer. Length: 200 cm, with AMP plug, suitable for electronic transformers, e.g. series nobile FM and AMP plug system

Height: 15 mm

Upon request also available different amounts of leds and other led colors

Part no.	Type	No. of LEDs	LED color	Beam angle	Voltage	Power
8000351020	Row 3, 12V	3	white	20°	12 V AC	0.25 W
8000351050	Row 3, 12V	3	white	50°	12 V AC	0.25 W
8000357030	Row 3, 12V	3	blue	30°	12 V AC	0.25 W
8000355030	Row 3, 12V	3	green	0°	12 V AC	0.25 W
8000556050	Row 5, 12V	5	red	50°	12 V AC	0.25 W
8000553050	Row 5, 12V	5	yellow	50°	12 V AC	0.25 W

nobile

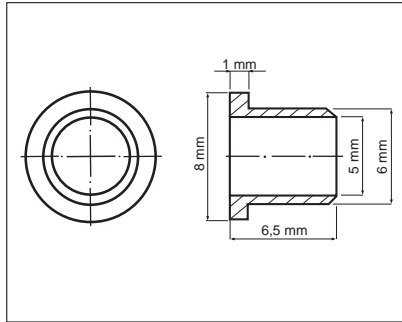
Connection cables AMP, please see page 48/49

LED PROTECTIVE COVERING

LED protective covering transparent
For easy mounting in metal ceilings

Part no.

8999981200

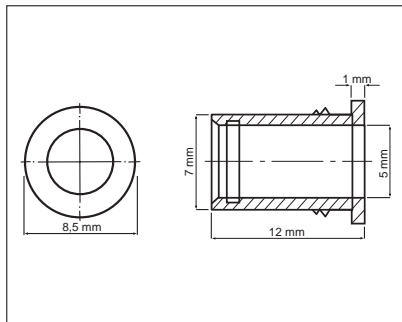


LED protective covering
for metal ceilings

LED protective covering transparent
For easy mounting in wooden ceilings,
with catch for better grip

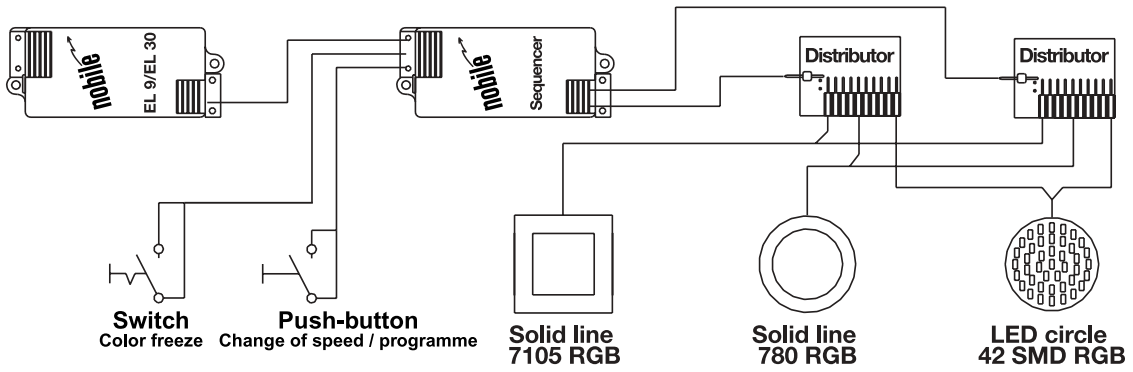
Part no.

8999981100



LED protective covering
for wooden ceilings

RGB technology for lighting atmosphere



LEDs with different colors can be controlled by connecting the nobile sequencer to the nobile power supply. This goes for RGB modules as well as for several monochromatic modules. In case further modules need to be connected, additional distributors should be used for operation.

LED-POWER SUPPLY EL-9M



EL-9M

EL-9M

Independent electronic converter for LED modules or to be built into fittings, furniture etc.

Primary: covered screw terminals
 Secondary: covered screw terminals, 50 cm cable with subminiature connector
 Input voltage: 230 V
 Output voltage: 24 V DC

Part no.	Type	Load range	Dimensions
8999014200	EL-9M	0-9 W	86 x 35 x 19 mm

LED-POWER SUPPLY EL-30 / EL-45



EL-30/EL-45

EL-30 / EL-45

Independent electronic converter for LED modules or to be built into fittings, furniture etc.

Primary: covered screw terminals
 Secondary: covered screw terminals, 50 cm cable with subminiature connector
 Input voltage: 230 V
 Output voltage: 24 V DC

Part no.	Type	Load range	Dimensions
8999015500	EL-30	0-30 W	180 x 46 x 19 mm
8999015800	EL-45	0-45 W	180 x 46 x 19 mm





RGB-SEQUENCER

RGB-sequencer

Unit to control the light colors of LED modules fitted with red, green, blue (RGB), or multicolor LEDs. The choice of the 4 programmes and the change of speed is done by means of a push-button. The freeze of a color blend is done by means of a switch. (Delivery without push-button and switch). Including memory function: after power interruption, the sequencer will come back with the same mode, speed setting and color as before

Input voltage: 24 V DC
Max. input: 50 W
Output voltage: 24 V DC
Connections: subminiature plug system

Housing free of halogen and silicone



RGB-sequencer

Part no.	Type	Dimensions
8999205900	Sequencer	86 x 35 x 19 mm



LED-DIMMER WITH POTENTIOMETER

LED-dimmer PN

Built-in device to control the light intensity of a LED circuit in connection with a power supply. Dimming by means of a standard commercial potentiometer (delivery without potentiometer)

Input voltage: 24 V DC
Max. input: 50 W
Connections: subminiature plug system
Operation with: potentiometer 47 kΩ

Housing free of halogen and silicone



LED-dimmer PN

Part no.	Type	Dimensions
9910021459	LED-dimmer with potentiometer	86 x 35 x 19 mm

LED-DIMMER CONTROLLED BY PUSH-BUTTON



LED-dimmer TS

LED-dimmer TS

Built-in device to control the light intensity of a LED circuit in connection with a power supply. Dimming and switching by means of a standard commercial push-button (delivery without push-button), located in one or several places. A short press on the push-button switches on and off, a long press dims up and down

Input voltage: 24 V DC
Max. input: 50 W
Connections: subminiature plug system
Operation with: standard commercial push-button

Housing free of halogen and silicone

Part no.	Type	Dimensions
9910022459	LED-dimmer with push-button	86 x 35 x 19 mm

LED POWER BOOSTER



LED power booster

LED power booster

Built-in device to boost the output of a RGB-sequencer (one color) or of a LED dimmer in connection with a power supply for the set-up of vast LED installations. Depending on the wattage of the power supply, several LED power boosters can be connected to one control gear

Input voltage: 24 V DC
Max. input: 50 W
Output: 0-50 W
Connections: subminiature plug system
Operation with: RGB-sequencer or LED-dimmer

Housing free of halogen and silicone

Part no.	Type	Dimensions
9910032459	LED power booster	86 x 35 x 19 mm

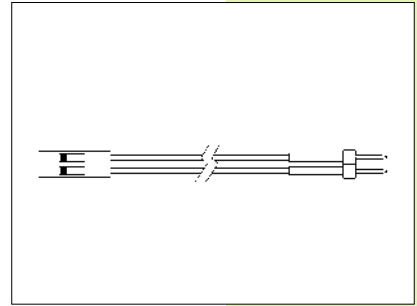


LED CONNECTION/EXTENSION CABLE

Part no.	Length
8099400500	0.5 m
8099401000	1.0 m
8099402000	2.0 m

2-pole extension cable with plug and socket, designed especially for nobile LED modules and distributors for easy installation of LED lighting systems without tools

Voltage: max. 40 V DC
Current: max. 3 A

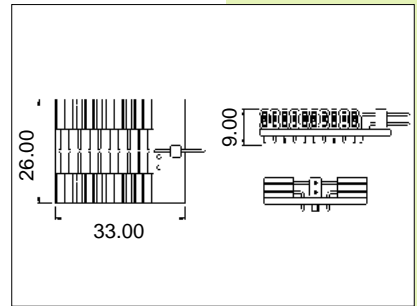


LED 10- / 20-WAY DISTRIBUTOR

Part no.	No. of sockets
8099101000	10
8099102000	20

2-pole distributor with one plug and 10/20 sockets for easy connection in parallel of several nobile LED modules to a power supply or RGB-sequencer

Voltage: max. 40 V DC
Current: max. 3 A

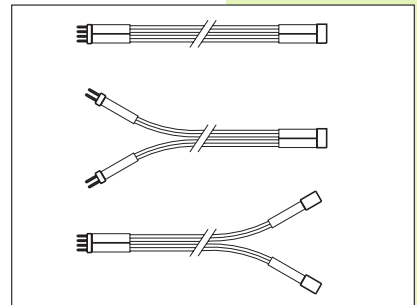


LED MULTICOLOR CONNECTION/EXTENSION CABLE

Part no.	Type	Length
8099420500	connection cable multicolor	0.5 m
8099421000	connection cable multicolor	1.0 m
8099422000	connection cable multicolor	2.0 m
8099410500	connection cable sequencer multicolor	0.5 m
8099430500	connection cable multicolor 2 x 2-pole	0.5 m

4-pole extension cable with plug and socket, designed especially for nobile LED multicolor modules and distributors for easy installation of LED lighting systems without tools

Voltage: max. 40 V DC
Current: max. 2 A

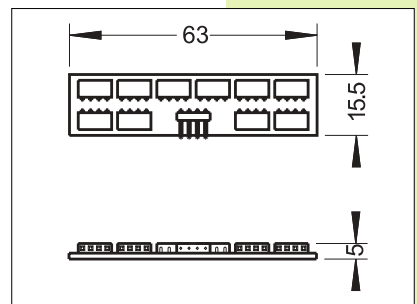


MULTICOLOR 10-WAY DISTRIBUTOR

Part no.	No. of sockets
8099100400	10

4-pole distributor with one plug and 10 4-pole sockets for easy connection in parallel of several nobile LED multicolor modules

Voltage: max. 40 V DC
Current: max. 3 A



nobile

To avoid early lamp failure

Electronic ballast with hybrid technology

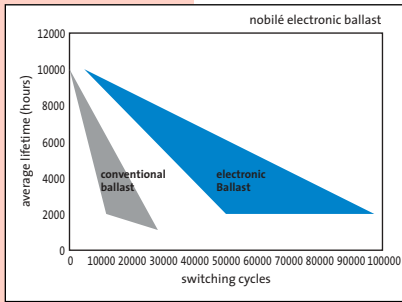
Electronic ballasts are supposed to increase the lifetime of energy saving compact fluorescent lamps (TC-lamps). But normally electronic ballasts just follow the standards of the lamp manufacturers and not the real demands. The lamps have to stand switching cycles (on and off) many times a day. Compact fluorescent lamps (TC-lamps) are quite sensitive against frequent switching and often fail earlier than expected. nobile has solved this problem by using logic circuits and a variable lamp heat-up for our electronic ballasts.

nobile 

asts



ELECTRONIC BALLASTS WITH HYBRID TECHNOLOGY



Even with frequent switching, electronic ballasts - in contrast to conventional ones - ensure an extremely long lifetime for the lamps.

Technological basis:

nobilé's electronic ballasts for energy saving compact fluorescent lamps (TC-lamps) operate with low-tolerance hybrid circuits and an active harmonics filter (PFC). Modern clamp type terminals assure fast and easy installation.

Advantages - general survey

- Prolonged lifetime of lamps.
- Optimum luminous efficiency.
- Low tolerances of luminous efficiency when using lamps of the same type.
- No flickering.
- Lamp-saving lamp start.
- Considerable savings on energy compared to conventional ballasts.
- DC and emergency power supply possible (except for EB-10/13-1 and EB-18-1).
- Automatic switch-off in case of malfunction or defective lamp.

nobilé electronic ballasts: the really energy saving and cost-efficient alternative

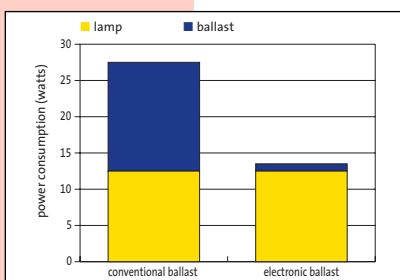
The increased lifetime of the lamps is not the only reason why electronic ballasts from nobilé are a technologically advanced energy saving alternative. To really save energy means to decrease the actual power consumption whilst the energy saving lamp is in operation. And this is exactly what electronic ballasts from nobilé contribute to.

Housing and installation

Several housings with standardized mounting holes are available. The housings are made of recyclable, break-proof and temperature-resistant polycarbonate. Different shapes can be supplied. For example, very flat rectangular types with integrated lamp holder. Modern terminals assure fast and easy installation.

nobilé's production is certified in accordance with EN ISO 9001. Only components of well-known manufacturers are used.

Housing: silicone and halogen free.



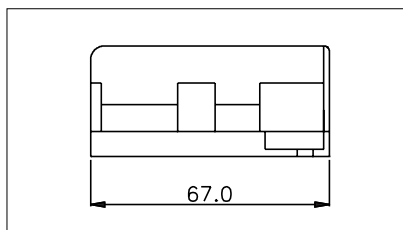
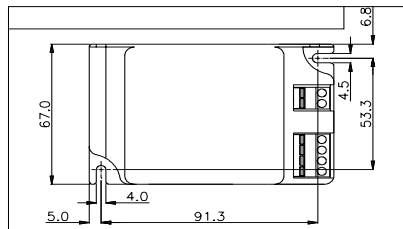
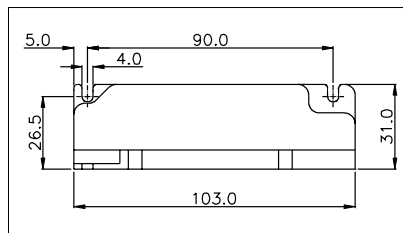
A 13 W lamp operated with a conventional ballast type consumes about 28 W (lamp and ballast consumption). The same lamp, run on an electronic ballast by nobilé, consumes only 13.7W (lamp and ballast consumption). Thus nobilé's electronic ballasts help to save about 50% of the energy costs.

**Series EB-1**

Electronic ballast for one compact fluorescent lamp

Technical data:

- Rated voltage (primary): 230V / 240V AC, +6/-10%, 50-60Hz
- Ambient temperature t_a : -15 to +50°C
- Cathode protection through variable heat-up
- No switching limits
- DC supply and usage for emergency lighting possible in accordance with VDE 0108 * (except EB-10/13-1 and EB-18-1)
- Safety switch-off at lamp failure
- Safety in accordance with EN 61347
- Performance in accordance with EN 60929
- EMI / RFI in accordance with EN 55015 / CISPR 15
- EMC immunity in accordance with EN 61547
- Harmonics in accordance with EN 61000-3-2



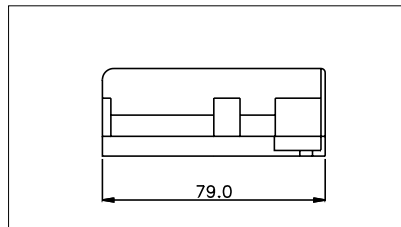
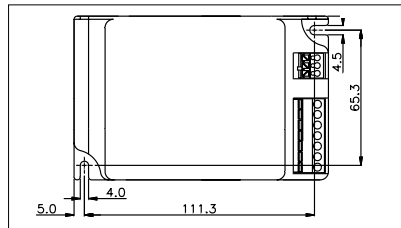
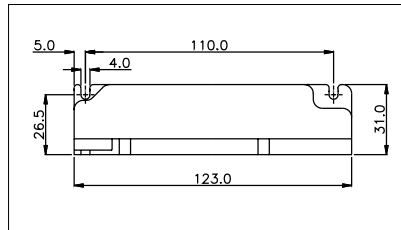
Part no.	Type	Lamp power	Dimensions	Lamp type	Weight	Current (mA)	System-power	EEL	cos phi
7099100200	EB-10/13-1	1 x 10 W 1 x 13 W	103 x 67 x 31 mm	TC-DEL	110 g	50 60	10.5 W 13.8 W	A2	0.5-0.7
7099101600	EB-18-1	1 x 18 W	103 x 67 x 31 mm	TC-DEL/TC-TEL	110 g	85	18.8 W	A2	0.5-0.7
7099101700	EB-26-1	1 x 26 W	103 x 67 x 31 mm	TC-DEL/TC-TEL	150 g	115	26.5 W	A2	0.92
7099101800	EB-32-1	1 x 32 W	103 x 67 x 31 mm	TC-TEL	150 g	150	34.0 W	A2	0.94
7099101900	EB-42-1	1 x 42 W	103 x 67 x 31 mm	TC-TEL	150 g	185	44.0 W	A2	0.94

Part no.	Type	Lamp power	Dimensions**	Lamp type	Weight	Current (mA)	System-power	EEL	cos phi
7099102100	EB-57-1	1 x 57 W	123 x 79 x 31 mm	TC-TEL	200 g	270	60.0 W	A2	0.94

* DC voltage may decrease down to 186 V during operation, lamps need to be started above 198 V, though.

** Drawing page 88





Series EB-2

Electronic ballast for two compact fluorescent lamps

Technical data:

- Rated voltage (primary): 230V / 240V AC, +6/-10%, 50-60Hz
- Ambient temperature t_a : -15 to +50°C
- Cathode protection through variable heat-up
- No switching limits
- DC supply and usage for emergency lighting possible in accordance with VDE 0108 **
- Safety switch-off at lamp failure
- Safety in accordance with EN 61347
- Performance in accordance with EN 60929
- EMI / RFI in accordance with EN 55015 / CISPR 15
- EMC immunity in accordance with EN 61547
- Harmonics in accordance with EN 61000-3-2

Part no.	Type	Lamp power	Lamp type	Weight	Current (mA)	System-power	EEL	cos phi
7099200200	EB-10/13-2*	2 x 10 W 2 x 13 W	TC-DEL	200 g	100 115	21.0 W 27.5 W	A2	0.90 0.92
7099201600	EB-18-2*	2 x 18 W	TC-DEL/TC-TEL	210 g	170	37.5 W	A2	0.92
7099201700	EB-26/32-2	2 x 26 W 2 x 32 W	TC-DEL/TC-TEL TC-TEL	210 g	200 280	52.0 W 64.0 W	A2	0.92
7099201900	EB-42-2*	2 x 42 W	TC-TEL	210 g	330	80.0 W	A2	0.94

* Approval in preparation

** DC voltage may decrease down to 186 V during operation, lamps need to be started above 198 V, though.



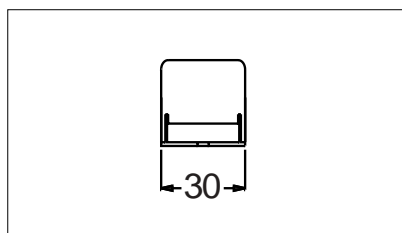
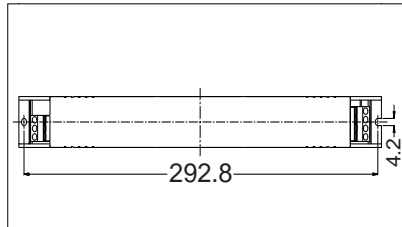
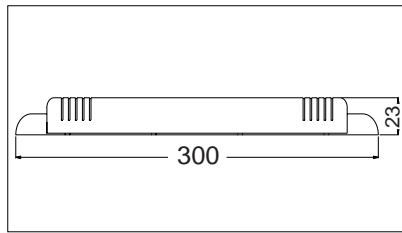
Series T5-FH (high efficiency)

Slim electronic ballast for T5 fluorescent lamps for innovative fitting design. One ballast type for 14, 21, 28 and 35W.

Also available with self cutting terminals (EB-T5S-1)

Technical data:

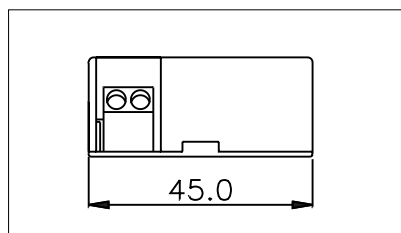
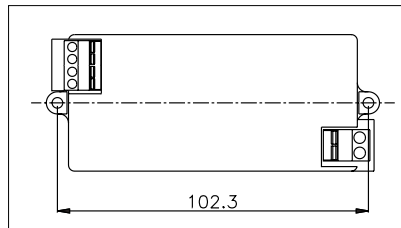
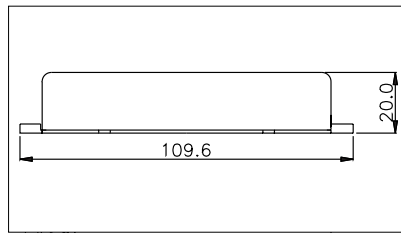
- Rated voltage (primary): 230V / 240V AC, +6/-10%, 50-60Hz
- Ambient temperature t_a : -15 to +50°C
- Cathode protection through variable heat-up
- No switching limits
- DC supply and usage for emergency lighting possible in accordance with VDE 0108 ** (except EB-10/13-1 and EB-18-1)
- Safety switch-off at lamp failure
- Safety in accordance with EN 61347
- Performance in accordance with EN 60929
- EMI / RFI in accordance with EN 55015 / CISPR 15
- EMC immunity in accordance with EN 61547
- Harmonics in accordance with EN 61000-3-2



Part no.	Type	Lamp power	Lamp type	Weight	Current (mA)	System-power	EEL	cos phi
7099300520	EB-14/35-T5-1	1x 14 W	T5 16 mm	160 g	70	16.0 W	A2	0.95
		1x 21 W	T5 16 mm		105	23.5 W		0.95
		1x 28 W	T5 16 mm		135	30.5 W		0.96
		1x 35 W	T5 16 mm		170	38.0 W		0.96
7099300540	EB-14/35-T5S-1	1x 14 W	T5 16 mm	160 g	70	16.0 W	A2	0.95
		1x 21 W	T5 16 mm		105	23.5 W		0.95
		1x 28 W	T5 16 mm		135	30.5 W		0.96
		1x 35 W	T5 16 mm		170	38.0 W		0.96

* DC voltage may decrease down to 186 V during operation, lamps need to be started above 198 V, though.





Series EB-M

Electronic ballast for one compact fluorescent lamp TC-EL or TC-DEL/TEL. Very small size (110x45x20mm).

Technical data:

- Rated voltage (primary): 230V / 240V AC, +6/-10%, 50-60Hz
- Ambient temperature t_a : -15 to +50°C
- Cathode protection through variable heat-up
- Safety switch-off at lamp failure
- Safety in accordance with EN 61347
- Performance in accordance with EN 60929
- EMI / RFI in accordance with EN 55015 / CISPR 15
- EMC immunity in accordance with EN 61547
- Harmonics in accordance with EN 61000-3-2

Part no.	Type	Lamp power	Lamp type	Weight	Current (mA)	System-power	EEL	cos phi
7099400100	EB-5/11-M-1	1 x 5 W	TC-EL	70 g	30	6.5 W	A2	0.5-0.7
		1 x 7 W	TC-EL		40	8.5 W		0.5-0.7
		1 x 9 W	TC-EL		45	10.0 W		0.5-0.7
		1 x 11 W	TC-EL		58	12.5 W		0.5-0.7
7099400200	EB-10/13-M-1	1 x 10 W	TC-DEL	70 g	50	10.5 W	A2	0.5-0.7
		1 x 13 W	TC-DEL		60	13.8 W		0.5-0.7
7099401600	EB-18-M-1	1 x 18 W	TC-DEL/ TC-TEL	70 g	85	18.8 W	A2	0.5-0.7



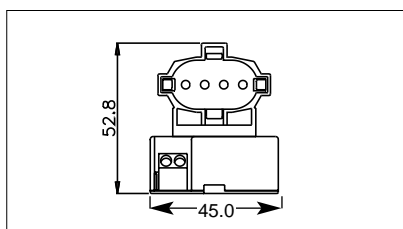
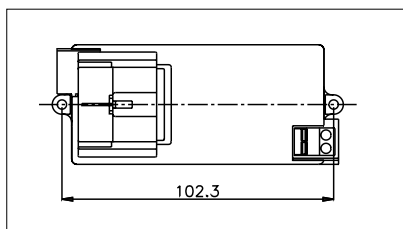
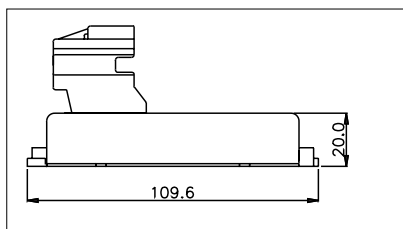
Series EB-L

Electronic ballast for one compact fluorescent lamp, including lamp holder type 2G7 for TC-EL lamps or G24q1-q2 for TC-DEL/TEL lamps. Very small size.

Technical data:

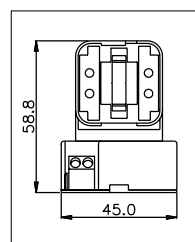
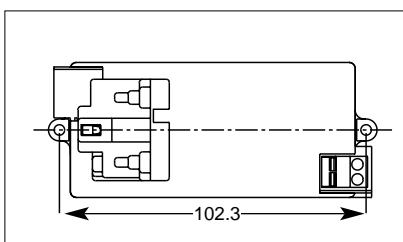
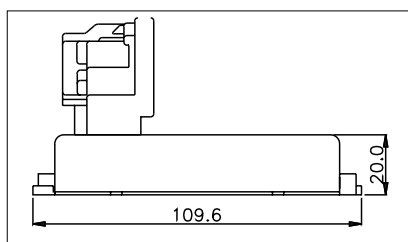
- Rated voltage (primary): 230V / 240V AC, +6/-10%, 50-60Hz
- Ambient temperature t_a : -15 to +50°C
- Cathode protection through variable heat-up
- Safety switch-off at lamp failure
- Safety in accordance with EN 61347
- Performance in accordance with EN 60929
- EMI / RFI in accordance with EN 55015 / CISPR 15
- EMC immunity in accordance with EN 61547
- Harmonics in accordance with EN 61000-3-2

EB-5/11-L-1



EB-10/13-L-1

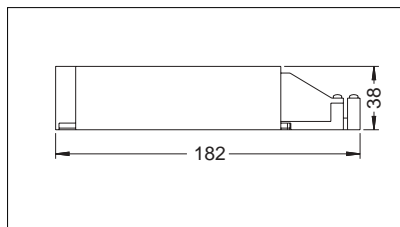
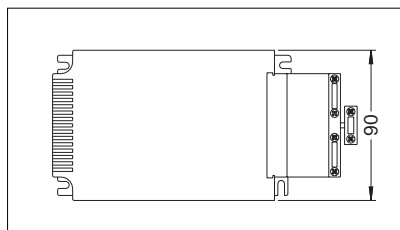
EB-18-L-1



Part no.	Type	Lamp power	Lamp type	Weight	Current (mA)	System-power	EEL	cos phi
7099700100	EB-5/11-L-1	1 x 5 W	TC-EL	70 g	30	6.5 W	A2	0.5-0.7
		1 x 7 W	TC-EL		40	8.5 W		0.5-0.7
		1 x 9 W	TC-EL		45	10.0 W		0.5-0.7
		1 x 11 W	TC-EL		58	12.5 W		0.5-0.7
7099700200	EB-10/13-L-1	1 x 10 W	TC-DEL	70 g	50	10.5 W	A2	0.5-0.7
		1 x 13 W	TC-DEL		70	13.8 W		0.5-0.7
7099701600	EB-18-L-1	1 x 18 W	TC-DEL/TC-TEL	70 g	85	18.8 W	A2	0.5-0.7

* Approval in preparation





Series EB-HIT

Electronic ballast for metal halide lamps.

Technical data:

- Rated voltage (primary): 230V / 240V AC, +6/-10%, 50-60Hz
- Ambient temperature t_a : -15 to +50°C
- Fast start of the lamp
- Control of lamp operation through software
- Control of lamp status through an integrated LED
- Delivery including strain relief
- EMI / RFI in accordance with EN 55015
- EMC immunity in accordance with EN 61547
- Harmonics in accordance with EN 61000-3-2

Part no.	Type	Lamp power	Lamp type	Weight
7099805700	EB-HIT-35	1 x 35 W	HIT	320 g
7099806200	EB-HIT-70	1 x 70 W	HIT	320 g

20 horizontal grey bars for writing notes.

Halogen

Brilliant light and eff

nobilé halogen lamps let colors shine brightly. Their light is whiter and brighter compared to general service lamps. They allow a pleasant and bright lighting environment as well as interesting light accents.

The wide range of nobilé halogen lamps with their different small dimensions allows creativity in modern lighting design.

nobile 

ects
amps



COOL-BEAM HALOGEN LAMPS 50 mm Ø / MR 16



- All types with axial filament and clear front glass (P)
- All types also available without front glass
- Burning position 360° universal
- Outstanding color rendering
- Average lifetime circa 2000/3500 hours
- Packing unit: 20/200 pcs.

Part no.	Type	Voltage Volt	Power Watt	Beam angle	Ø mm	Length mm	Base
5111205238	BAB/P	12	20	36°	50.5	45	GU5,3
5111205258	BBF/P	12	20	24°	50.5	45	GU5,3
5111205212	ESX/P	12	20	12°	50.5	45	GU5,3
5111205738	FMW/P	12	35	36°	50.5	45	GU5,3
5111205725	FMV/P	12	35	22°	50.5	45	GU5,3
5111205712	FMT/P	12	35	12°	50.5	45	GU5,3
5111205960	FNV/P	12	50	60°	50.5	45	GU5,3
5111205938	EXN/P	12	50	38°	50.5	45	GU5,3
5111205925	EXZ/P	12	50	24°	50.5	45	GU5,3
5111205912	EXT/P	12	50	13°	50.5	45	GU5,3

COOL-BEAM HALOGEN LAMPS 35 mm Ø / MR 11



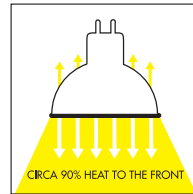
- All types with axial filament and clear front glass (P)
- All types also available without front glass
- Burning position 360° universal
- Outstanding color rendering
- Average lifetime circa 2000/3500 hours
- Packing unit: 25/250 pcs.

Part no.	Type	Voltage Volt	Power Watt	Beam angle	Ø mm	Length mm	Base
5211205230	FTD/M 62/P	12	20	30°	35	35	GU4
5211205217	FTC/M 51/P	12	20	20°	35	35	GU4
5211205210	FTB/M 52/P	12	20	10°	35	35	GU4
5211205730	FTH/M 67/P	12	35	30°	35	35	GU4
5211205720	FTF/M 66/P	12	35	20°	35	35	GU4
5211205701	FTE/M 65/P	12	35	10°	35	35	GU4



HALOGEN LAMPS WITH ALUMINIUM COATED REFLECTOR

- Axial filament
- All types with clear front glass (P)
- Burning position 360° universal
- Outstanding color rendering
- Average lifetime circa 2000/2500 hours
- Packing unit: 20/200 pcs.



Part no.	Type	Voltage Volt	Power Watt	Beam angle	ø mm	Length mm	Base
5121205238	BAB-ALU/P	12	20	38°	50.5	45	GU5,3
5121205738	FMW-ALU/P	12	35	38°	50.5	45	GU5,3
5121205938	EXN-ALU/P	12	50	38°	50.5	45	GU5,3



PINLIGHTS CLEAR/FROSTED

- Axial filament (except 5 Watt)
- Burning position 360° universal
- Average lifetime circa 2000 hours
- Packing unit: 10/100 pcs.



Part no. frosted	Part no. clear	Voltage Volt	Power Watt	ø mm	Length mm	Base
-	5301204110	12	5	9	30	G4
5301205120	5301205110	12	10	9	30	G4
5301205320	5301205310	12	20	9	30	G4
-	5301205410	12	20	12	44	GY6,35
5301205720	5301205710	12	35	12	44	GY6,35
5301205920	5301205910	12	50	12	44	GY6,35
5301206420	5301206410	12	75	12	44	GY6,35
5301207120	5301207110	12	100	12	44	GY6,35

Low-voltage halogen lamps
with low pressure bulbs

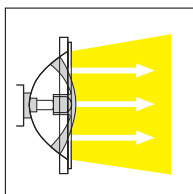
nobile

HALOGEN SPOT ALU AR111



Aluminium reflector lamp AR111

- Axial filament
- Burning position 360° universal
- Average lifetime circa 2500 hours
- Packing unit: 1 pc.



Part no.	Voltage Volt	Power Watt	Beam angle	ø mm	Base
5141205924	12	50	24°	111	G53
5141205908	12	50	8°	111	G53

HV-SPOT ES50



High-voltage halogen lamp ES50

- Axial filament
- Burning position 360° universal
- Average lifetime circa 2500 hours
- Packing unit: 1/15 pcs.

Part no.	Voltage Volt	Power Watt	Beam angle	ø mm	Base
5132405925	230	50	25°	50.5	GU10

- Burning position: horizontal +/- 10°
- Average lifetime circa 1000/2000 hours
- Packing unit: 1/100 pcs.

Part no.	Voltage Volt	Power Watt	Beam angle	∅ mm	Base
5402307178	230	100	8	78.3	R7s
5402307478	230	150	8	78.3	R7s
5402307578	230	200	8	78.3	R7s
5402307678	230	250	8	78.3	R7s



- Burning position: horizontal +/- 10°
- Average lifetime circa 1000/2000 hours
- Packing unit: 1/50 pcs.

Part no.	Voltage Volt	Power Watt	Beam angle	∅ mm	Base
5402307117	230	100	8	117.6	R7s
5402307417	230	150	8	117.6	R7s
5402307517	230	200	8	117.6	R7s
5402307617	230	250	8	117.6	R7s
5402307817	230	300	8	117.6	R7s
5402307917	230	500	10	117.6	R7s



- Burning position: horizontal +/- 10°
- Average lifetime circa 1000/2000 hours
- Packing unit: 1/50 pcs.

Part no.	Voltage Volt	Power Watt	Beam angle	∅ mm	Base
5402308017	230	750	10	189.1	R7s
5402301019	230	1000	10	189.1	R7s
5402301524	230	1500	10	254.1	R7s
5402302033	230	2000	10	333.0	R7s



MINICANE B 15 D



Minicane clear/frosted

- Burning position 360° universal
- Average lifetime circa 2000 hours
- Packing unit: 1/100 pcs.

Part no. frosted	Part no. clear	Voltage Volt	Power Watt	ø mm	Length mm	Base
5602306420	5602306410	230	75	11.5	75	B15d
5602307120	5602307110	230	100	14	81	B15d
5602307420	5602307410	230	150	14	81	B15d

MINICANE E 11 / E 14



Minicane clear/frosted

- Burning position 360° universal
- Average lifetime circa 2000 hours
- Packing unit: 1/50 pcs.

Part no. frosted	Part no. clear	Voltage Volt	Power Watt	ø mm	Length mm	Base
5652306420	5652306410	230	75	11.5	81	E11
5702306420	5702306410	230	75	11.5	81	E14
5652307120	5652307110	230	100	14	81	E11
5702307120	5702307110	230	100	14	81	E14
5652307420	5652307410	230	150	14	81	E11
5702307420	5702307410	230	150	14	81	E14
5652307620	5652307610	230	250	14	81	E11
5702307620	5702307610	230	250	14	81	E14

TUBULAR LAMPS WITH OUTER ENVELOPE



Tube type clear/frosted

- Burning position 360° universal
- Average lifetime circa 2000 hours
- Packing unit: 1/50 pcs.

Part no. frosted	Part no. clear	Voltage Volt	Power Watt	ø mm	Length mm	Base
5552306420	5552306410	230	75	33	90	E27
5552307120	5552307110	230	100	33	90	E27
5552307420	5552307410	230	150	33	105	E27
5552307520	5552307510	230	200	33	105	E27
5552307620	5552307610	230	250	33	105	E27

nobile

HIT-DE DOUBLE ENDED

- Quartz burner
- Burning position: horizontal +/- 45°
- High color stability and good color rendering
- Improved brightness - higher luminous flux
- Average economical lifetime circa 6000 hours
- Packing unit: 1/12 pcs.



Part no.	Type	Power Watt	ø mm	Length mm	Base	Luminous flux lm
5860008192	HIT-DE 70 WDL/830	70	20	114,2	Rx7s	6,000
5860008191	HIT-DE 70 NDL /840	70	20	114,2	Rx7s	6,000
5860008292	HIT-DE 150 WDL/830	150	23	132	Rx7s-24	12,000
5860008291	HIT-DE 150 NDL /840	150	23	132	Rx7s-24	12,000
5860007600	HIT-DE 250 NDL /840	250	25	163	FC2	20,000

WDL = warm white, NDL = neutral white

CDM-TD DOUBLE ENDED

- Ceramic burner
- Burning position: horizontal +/- 45°
- High color stability and good color rendering
- Improved brightness - higher luminous flux
- Average economical lifetime circa 6000 hours
- Same color temperature for each lamp
- Packing unit: 1/12 pcs.



Part no.	Type	Power Watt	ø mm	Length mm	Base	Luminous flux lm
5840006250	CDM-TD 70 W/830	70	20	114.2	Rx7s	5,400
5840007400	CDM-TD 150 W/830	150	25	135.4	Rx7s-24	12,500

CDM-T SINGLE ENDED



- Ceramic burner
- Burning position 360° universal
- High color stability and good color rendering
- Improved brightness – higher luminous flux
- Longer economical lifetime (circa 6000 hours)
- Same color temperature for each lamp
- Packing unit: 12 pcs.

Part no.	Type	Power Watt	ø mm	Length mm	Base
5820005700	CDM-T 35 W /830	35	19	101	G12
5820006200	CDM-T 70 W /830	70	19	101	G12
5820007400	CDM-T 150 W /830	150	19	106	G12

HALOGEN-METAL-HALIDE REFLECTOR LAMP BRITESPOT ES50



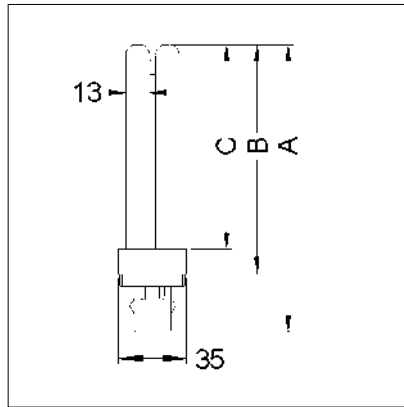
Halogen metal-halide reflector lamp ES50

- The BriteSpot ES50 (approx. 65 lm/W) exceeds comparable halogen lamps approx. by factor 3, with regard to light output. To reach the same lighting level, fewer lamps need to be installed – and this saves energy costs
- The specially developed bayonet-cap GX10 enables a fast and reliable lamp change
- Halogen metal-halide technology together with the integrated reflector offer a precisely focussed light for unlimited planning
- The UV-stop front glass makes additional safety glasses needless. BriteSpot ES50 runs on common electronic ballasts. The heat output is minimal compared with halogen lamps
- Packing unit: 1/15 pcs.

Part no.	Power Watt	Beam angle	ø mm	Base
5845005738	35	38°	51	GX10

Compact fluorescent lamps
(10W - 26W)

- Modern and economic lamp technology for varied applications
- Compact sizes, excellent color rendering and long lifetime
- 2-pin lamps for conventional ballasts
- 4-pin lamps for electronic ballasts and dimming operation
- Packing unit: 1/10 pcs.



Part no.	Power Watt	Lumious flux (lm)	Energy label	Base	Dimensions A x B x C / mm	Color temperature	No. of color temperature
2-Pin Type							
5852001182	10W	600	B	G24d-1	117 x 94 x 76	Soft Warm	827
5852001181	10W	600	B	G24d-1	117 x 94 x 76	Cool White	840
5852002182	13W	900	A	G24d-1	140 x 117 x 99	Soft Warm	827
5852002181	13W	900	A	G24d-1	140 x 117 x 99	Cool White	840
5852003182	18W	1200	B	G24d-2	153 x 130 x 112	Soft Warm	827
5852003183	18W	1200	B	G24d-2	153 x 130 x 112	Warm White	830
5852003181	18W	1200	B	G24d-2	153 x 130 x 112	Cool White	840
5852004182	26W	1800	B	G24d-3	170 x 148 x 130	Soft Warm	827
5852004183	26W	1800	B	G24d-3	170 x 148 x 130	Warm White	830
5852004181	26W	1800	B	G24d-3	170 x 148 x 130	Cool White	840
4-Pin Type							
5854001282	10W	600	A	G24q-1	109 x 94 x 76	Soft Warm	827
5854001281	10W	600	A	G24q-1	109 x 94 x 76	Cool White	840
5854002282	13W	900	A	G24q-1	132 x 117 x 99	Soft Warm	827
5854002281	13W	900	A	G24q-1	132 x 117 x 99	Cool White	840
5854003282	18W	1200	A	G24q-2	145 x 130 x 112	Soft Warm	827
5854003281	18W	1200	A	G24q-2	145 x 130 x 112	Cool White	840
5854004282	26W	1800	B	G24q-3	163 x 148 x 130	Soft Warm	827
5854004281	26W	1800	B	G24q-3	163 x 148 x 130	Cool White	840

Small and handy

Facilità

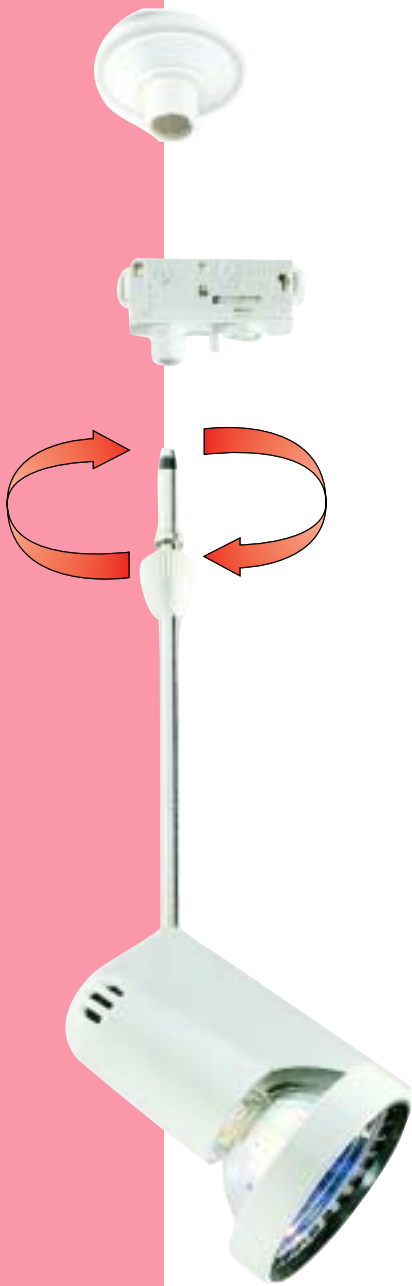
light and easy...

All good qualities which can be expected from a low-voltage system are brought together in Facilità: the system elements are small, handy and light. The installation can be done easily and fast. From a variety of single elements, the right choice can be made for every lighting project.

nobile →



LOW-VOLTAGE SYSTEM FACILITÀ



The construction kit

The Facilità elements can be divided into two groups:

- the fine, small-sized track with numerous accessories
- a wide range of elegant spotlights and bows

The trick with the jack

The connecting element of most Facilità parts is the jack: a small 1-pin connector which is part of most Facilità spotlights. The jack fits into the track adaptor and it is secured by a small plastic clamping nut. The spotlights remain completely turnable (360°), maintaining at the same time an absolutely reliable electrical contact.

Safety approval

Facilità tracks and spotlights are approved by IMQ and carry the corresponding safety approval sign. Tracks and track connectors containing transformers are marked with the F-sign, which means that they can be mounted on normally flammable surfaces.

Power (W)	Current (A)	Max. length (m)
300	25,0	4
250	20,8	5
200	16,6	6
150	12,5	8
100	8,3	12

nobile



SPOTLIGHT ANELLO

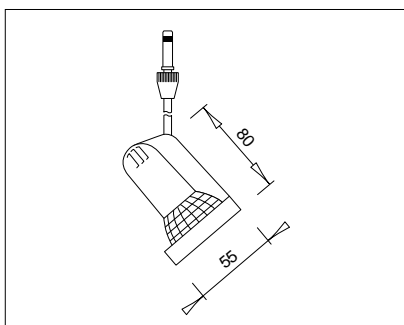


ANELLO

Spotlight, adjustable

Material: aluminium die-cast

Surface: powder coated or
24 carat gold plating



Part no.	123-0	123-1	123-2	123-4
Bar length	7 cm	10 cm	25 cm	40 cm



SPOTLIGHT SCALA



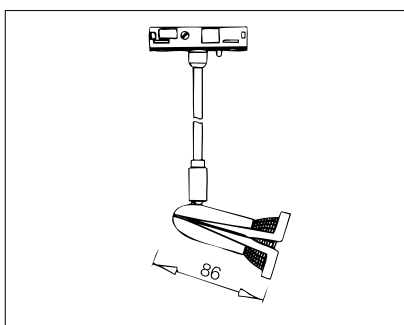
SCALA

Spotlight, adjustable

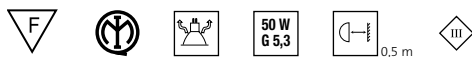
Material: aluminium die-cast

Surface: powder coated or
24 carat gold plating

Delivery including mounted adaptor



Part no.	326-0	326-1	326-2	326-4
Bar length	7 cm	10 cm	25 cm	40 cm



SPOTLIGHT CILINDRO 45

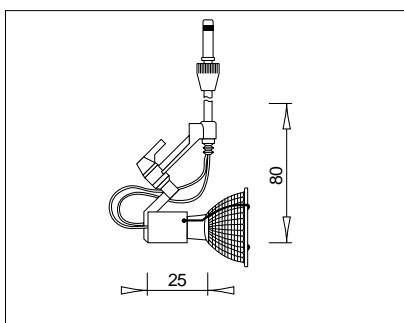


CILINDRO 45

Spotlight, adjustable

Material: aluminium die-cast

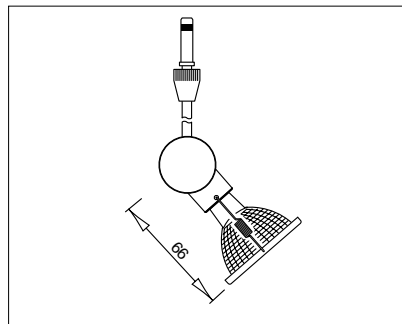
Surface: powder coated



Part no.	101-0	101-1	101-2	101-4
Bar length	7 cm	10 cm	25 cm	40 cm

nobile

SPOTLIGHT DISCO



DISCO

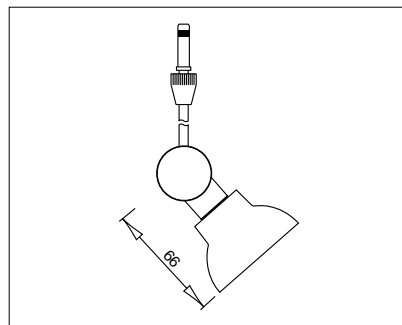
Spotlight, adjustable

Material: aluminium die-cast

Surface: powder coated

Part no.	200-0	200-1	200-2	200-4
Bar length	7 cm	10 cm	25 cm	40 cm

SPOTLIGHT DISCO WITH GLASS



DISCO with glass

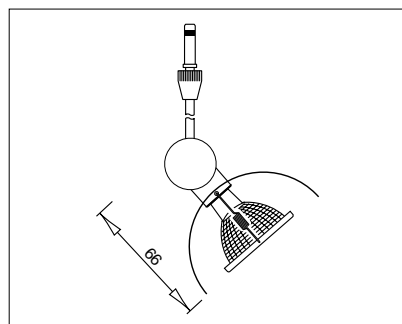
Spotlight, adjustable

Material: aluminium die-cast

Surface: powder coated

Part no.	210-0	210-1	210-2	210-4
Bar length	7 cm	10 cm	25 cm	40 cm

SPOTLIGHT DISCO WITH REFLECTOR



DISCO with reflector

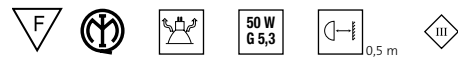
Spotlight, adjustable

Material: aluminium die-cast

Surface: powder coated

Part no.	201-0	201-1	201-2	201-4
Bar length	7 cm	10 cm	25 cm	40 cm

nobile



BOW SPOTLIGHT DISCO R

□ ■ A

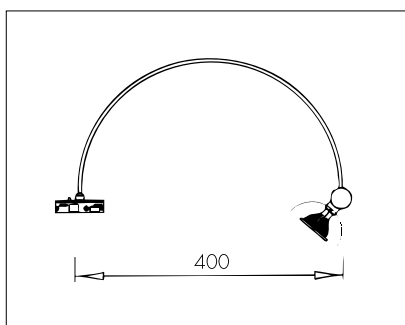
DISCO R bow

Spotlight, adjustable

Material: aluminium die-cast

Surface: powder coated

Delivery including mounted adaptor



Part no. 301-4

Bow length 40 cm including adaptor



BOW SPOTLIGHT ANELLO

□ ■ ■

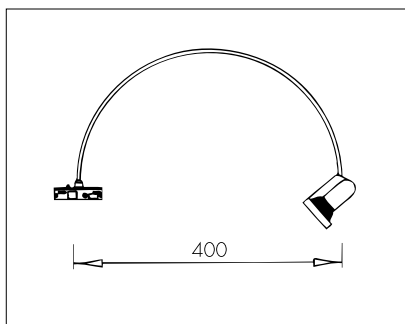
ANELLO bow

Spotlight, adjustable

Material: aluminium die-cast

Surface: powder coated or
24 carat gold plating

Delivery including mounted adaptor



Part no. 323-4 223-4

Bow length 40 cm including adaptor 40 cm for wall-mounted transformer



BOW SPOTLIGHT ANELLO CANTO

□ ■

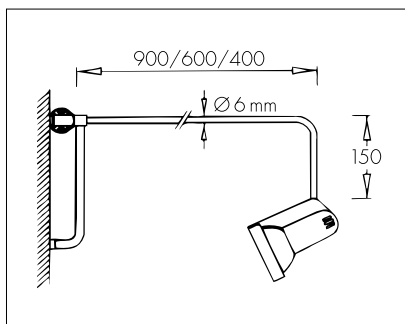
ANELLO CANTO bow

Spotlight, adjustable

Material: aluminium die-cast

Surface: powder coated

Delivery including mounted adaptor

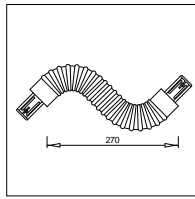


Part no. 320-4 320-6 320-9

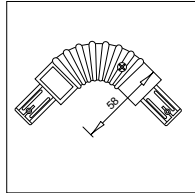
Bow length 40 cm including adaptor 60 cm including adaptor 90 cm including adaptor



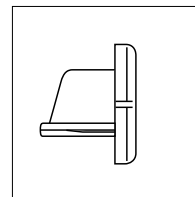
Flexible connector
for track connection in any angle
Part no. 610-0



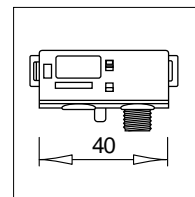
Angle connector 90°
for track connection in 90° angle
Part no. 605-0



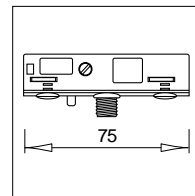
End caps
Part no. 623-0



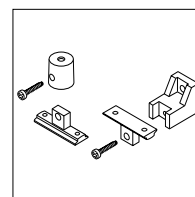
Jack adaptor 12 V / 5A
Part no. 601-0



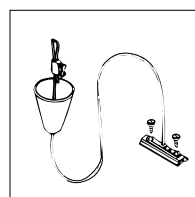
Adaptor for cables and pendulum
12 V / 5A
Part no. 620-0



Wall- / ceiling mounting kit
for track connection in any angle
Part no. 607-0



Suspension with 2 m steel cord
Part no. 606-0



ACCESSORIES FOR TRACKS



SELV
equiv.



EN-150 T transformer

Independent electronic transformer for low-voltage halogen track systems. Primary with WAGO clamp terminal

230 / 11,8 V 50 - 150 VA

with feeder; dimmable with trailing edge dimmer.

Dimensions

154 x 43 x 36 mm

ACCESSORIES FOR TRACKS



SELV
equiv.



EN-250 T transformer

Independent electronic transformer for low-voltage halogen track systems. Primary with WAGO clamp terminal

230 / 11,8 V 100 - 250 VA

with feeder; dimmable with trailing edge dimmer.

Dimensions

221x 54 x 48 mm

ACCESSORIES FOR TRACKS



SELV
equiv.



EN-250 MT transformer

Independent electronic transformer with two adaptors for low-voltage halogen tracks. This model allows center-feeding of low voltage track systems. Primary with screw terminal

230 / 11,8 V 100 - 200 VA

dimmable with trailing edge dimmer.

Dimensions

236 x 96 x 50 mm

20 horizontal grey lines for writing notes.

Flexible light for high demands

Wherever lighting needs to be flexible, nobile offers the right solution with the three-phase track system NT/NU and the Lecto and Power Lecto projectors. No matter if wide-range floodlight or precise spotlight is required - all kinds of lighting can be realized with this track system. The series Lecto and Power Lecto create the right lighting atmosphere, for example in galleries, shopping windows and showrooms.

Track system with projectors

Small-sized high-voltage track with a wide range of different spotlights and pendant luminaires.

This makes it possible to use the system in numerous surroundings like private houses as well as representative shops and offices.

nobile

ms



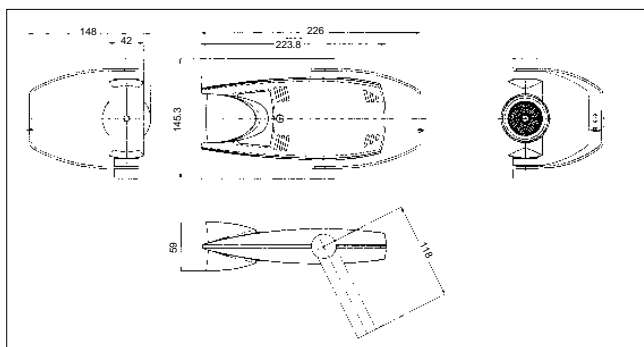


Lecto 12 Volt

The Lecto projector is designed for illumination of high-value objects and materials. Lecto is a powerful low-voltage halogen projector in modern design with built-in electronic transformer. Lecto is available with adaptor for commercial three-phase tracks or for wall-/ceiling mounting

Material: aluminium die-cast
 Surface: powder coated

Lecto 12 Volt matte titanium



Part no.	Type	Version	Max. load
177000....	20-65 W	with adaptor	65 W
177000....	W/D 20-65 W	for wall-/ ceiling mounting	65 W

TECHNICAL FEATURES

- For low-voltage cool-beam halogen lamps 12V / max. 65W (base GX 5.3)
- Adaptor for commercial three-phase tracks or for wall-/ceiling mounting
- Electronic transformer 20 - 65 VA
- Dimmable with trailing edge dimmer
- Revolving 350°, adjustable 180°
- Weight: about 750 g
- Delivery without lamp





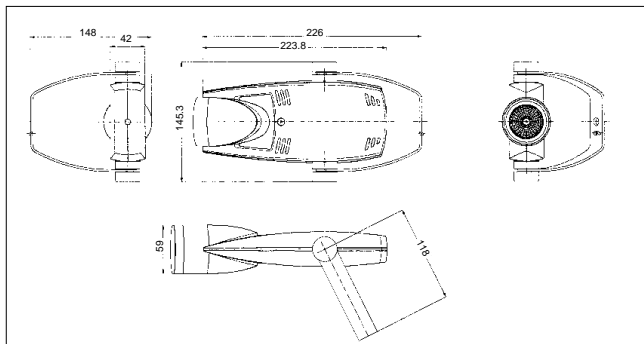
Lecto BriteSpot

The Lecto projector is designed for illumination of high-value objects and materials. It is now available for the halogen metal-halide reflector lamp BriteSpot ES50. The BriteSpot ES50 (approx. 65 lm/W) exceeds comparable halogen lamps by factor 3, with regard to light output. To reach the same lighting level, fewer projectors need to be installed – and this saves energy costs. Lecto is a projector in modern design with built-in electronic ballast. Lecto is available with adaptor for commercial three-phase tracks or for wall-/ceiling mounting

Material: aluminium die-cast
 Surface: powder coated



Lecto BriteSpot matte titanium



Part no.	Type	Version	Max. load
177300....	BriteSpot ES50	with adaptor	35 W
177300....	BriteSpot ES50	for wall-/ceiling mounting	35 W

TECHNICAL FEATURES

- For BriteSpot ES50 lamps, beam angle 38°
- Adaptor for commercial three-phase tracks or for wall-/ceiling mounting
- Electronic ballast 35 W
- Revolving 350°, adjustable 180°
- Weight: about 750 g
- Delivery without lamp





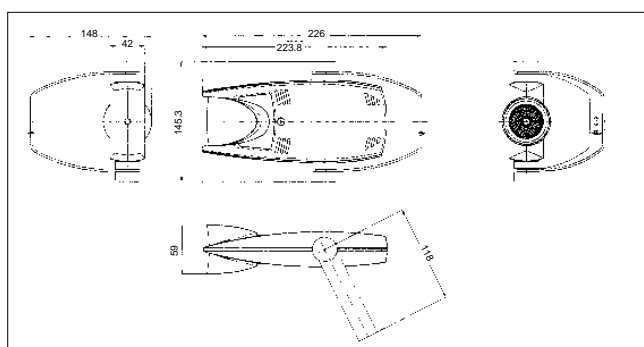
Lecto PowerLED matte titanium



Lecto PowerLED

The Lecto projector is designed for illumination of high-value objects and materials. It is now available with ultra-bright PowerLEDs. With up to 30 lm/W, the efficiency of the PowerLED is the same as the efficiency of conventional halogen lamps. And all that with an extremely long lifetime of the LEDs. Lecto is a projector in modern design with built-in electronic control gear. Lecto is available with adaptor for commercial three-phase tracks or for wall-/ceiling mounting

Material: aluminium die-cast
 Surface: powder coated



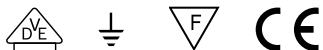
Part no.	Type	Version
177200....	PowerLED 3x1 W white	with adaptor
177200....	PowerLED 3x1 W white	for wall-/ceiling mounting

On request also available with other LED colors

TECHNICAL FEATURES

- Equipped with PowerLEDs 3 x 1 W
- Adaptor for commercial three-phase tracks or for wall-/ceiling mounting
- Electronic power supply 1-4 W
- Revolving 350°, adjustable 180°
- Weight: about 750 g
- Delivery including PowerLEDs





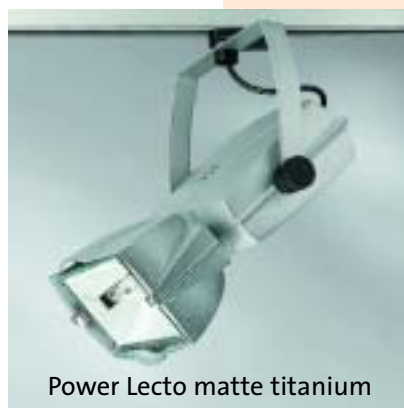
PROJECTOR POWER LECTO



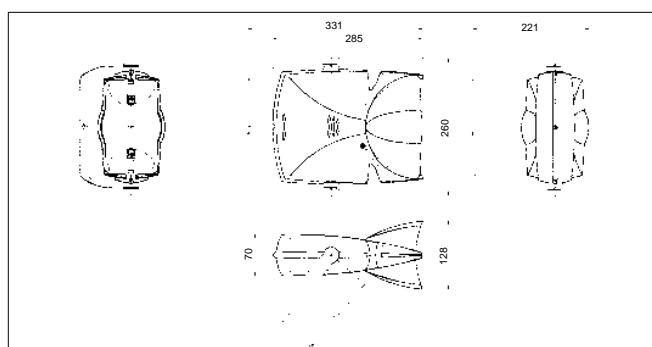
Power Lecto

The Power Lecto series is especially suitable for spacious rooms and provides a smooth and bright light. One of the remarkable features of this series is its very high efficiency. These projectors can be used with metal halide lamps, both double or single ended. Power Lecto is available with adaptor for commercial three-phase tracks or for wall-/ceiling mounting

Housing: aluminium die-cast
Surface: powder coated



Power Lecto matte titanium



Part no.	Type	For double ended lamps	Max. load
177070....	70 TD	with adaptor	70 W
177070....	70 TD	for wall-/ ceiling mounting	70 W
177150....	150 TD	with adaptor	150 W
177150....	150 TD	for wall-/ ceiling mounting	150 W

Part no.	Type	For single ended lamps	Max. load
178030....	35 T	with adaptor	35 W*
178030....	35 T	for wall-/ ceiling mounting	35 W*
178070....	70 T	with adaptor	70 W
178070..	70 T	for wall-/ ceiling mounting	70 W
178150....	150 T	with adaptor	150 W
178150....	150 T	for wall-/ ceiling mounting	150 W

TECHNICAL FEATURES / ACCESSORIES FOR POWER LECTO

- For metal halide lamps max. 35W, 70W or 150W (base Rx7s/G12)
- Adaptor for commercial three-phase tracks or for wall-/ceiling mounting
- Revolving 350°, adjustable 180°
- Weight: about 3,500g (35 W/70 W)
4,500g (150 W)
- Delivery without lamp
- Barn door shutters only suitable for type TD
- Power T comes with a 18° reflector;
36° reflector possible upon request

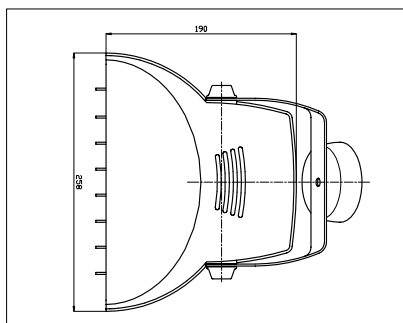
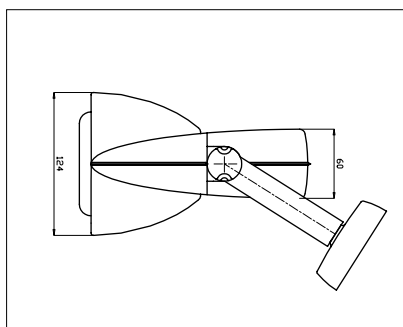
* VDE-Approval 35 W in preparation

Part no.	Accessory
177 071....	barn door shutters <input type="checkbox"/> <input type="checkbox"/> <input type="checkbox"/>

nobile



Lecto 42 matte titanium



Lecto 42

The projector Lecto 42 completes our succesful Lecto series. This beautifully designed projector for compact florescent lamps stands out for its low energy consumption. The integrated electronic ballast adds to its energy saving efficiency.

Lecto 42 is available with universal adaptor for commercial 3-phase tracks or for wall-/ceiling mounting

Material: aluminium die-cast
Surface: powder coated

Part no.	Type	Version	Max. load
179040....	Gx24q-4	with adaptor	42 W
179040....	Gx24q-4	for wall-/ ceiling mounting	42 W

TECHNICAL FEATURES

- For compact florescent lamps 42 W
- Adaptor for commercial three-phase tracks or for wall-/ceiling mounting
- Electronic ballast 42 W
- Revolving, adjustable
- Weight: about 1700g
- Delivery without lamp



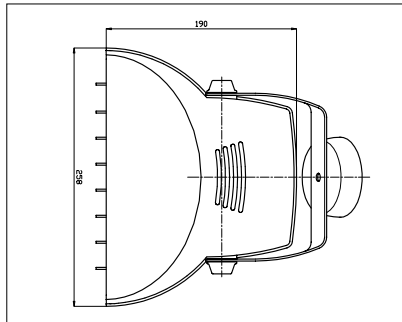
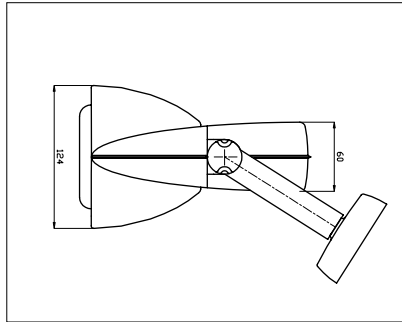


Lecto 57

The projector Lecto 57 completes our succesful Lecto series. This beautifully designed projector for compact fluorescent lamps stands out for its low energy consumption. The integrated electronic ballast adds to its energy saving efficiency.

Lecto 57 is available with universal adaptor for commercial 3-phase tracks or for wall-/ceiling mounting

Material: aluminium die-cast
Surface: powder coated



Lecto 57 matte titanium

Part no.	Type	Version	Max. load
179050....	Gx24q-5	with adaptor	57 W
179050....	Gx24q-5	for wall-/ ceiling mounting	57 W

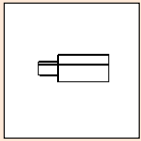
TECHNICAL FEATURES

- For compact fluorescent lamps 57 W
- Adaptor for commercial three-phase tracks or for wall-/ceiling mounting
- Electronic ballast 57 W
- Revolving, adjustable
- Weight: about 1700g
- Delivery without lamp

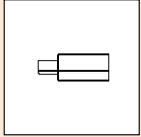
* Approval in preparation



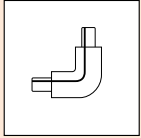
TRACK SYSTEM NT/NU / SYSTEM PLANNING



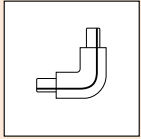
Feeding right
Grounding right. The ground wire is left, looking from track-end to the feeding point



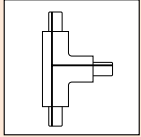
Feeding left
Grounding left. The ground wire is right, looking from the track-end to the feeding point



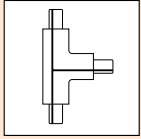
Angle connector 90°, inside



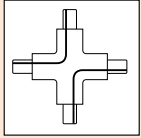
Angle connector 90°, outside



T-connector left
Grounding left. The ground wire is left, looking towards the outgoing track



T-connector right
Grounding right. The ground wire is right, looking towards the outgoing track



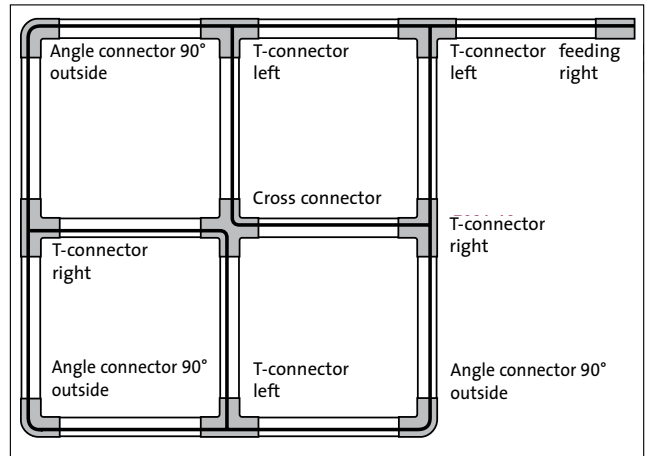
Cross connector

The NT/NU accessories are for track supply, grounding and mechanical connection of the tracks. Because of the side-arrangement of the grounding, the system is asymmetrical; therefore all connectors are available in a right and left or inner and outer version. When choosing the accessories, one has to bear in mind that a continuous ground connection is necessary.

The NT/NU tracks are suitable for the multi-system adaptor

EXAMPLE

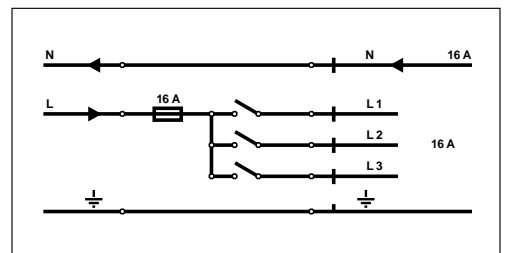
Display of the grounding from above



Wiring scheme, single-phase usage

Rated voltage 230V.

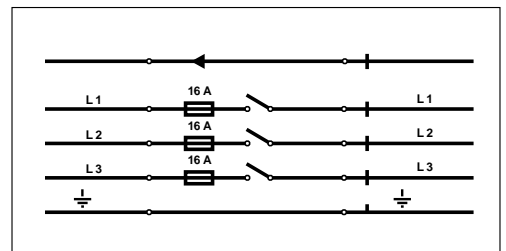
The single-phase 230V connection allows a total current of 16A, that is a 3,680 VA load, which can be partitioned at will onto the three circuits of the track



Wiring scheme, three-phase usage

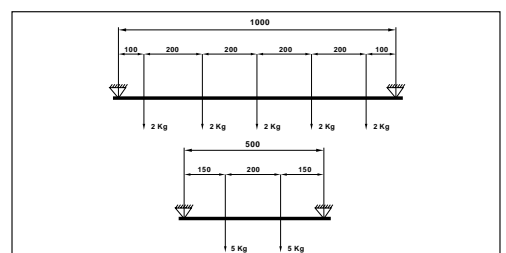
Rated voltage 230V.

The three-phase 230/400V connection allows a total current of 3 x 16A, that is a 3,680 VA load on each circuit of the track



Load-bearing capacity / weight

The track can bear a load of 2kg per 200 mm, if fastened each 1,000 mm. For a load of 5kg per 200 mm, a fastening each 500 mm is required



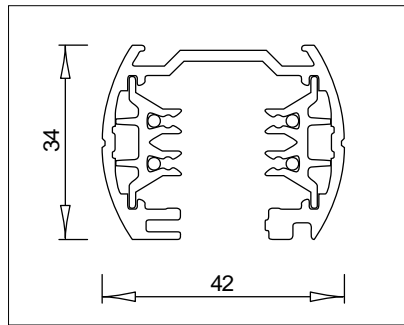
The track system is built in accordance with the international standard IEC 570 (CEI 3417), including the amendment of 1990

nobile

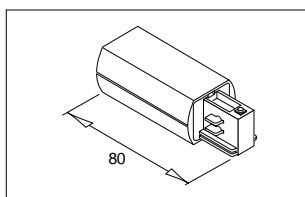


Track system NT round profile

Track: aluminium
 Insulation: PVC
 Surface: powder coated

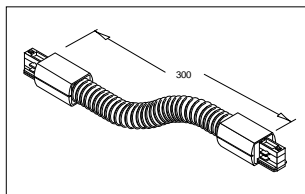


Part no.	172600....	172600....	172600....
Length	1000 mm	2000 mm	3000 mm



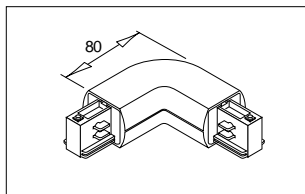
172602....
 END FEEDING right
172602....
 END FEEDING left

colors:



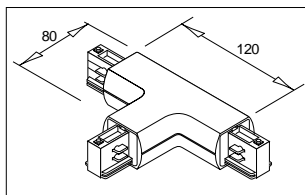
172610....
 flexible CONNECTOR
 supply possible

colors:



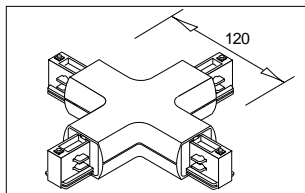
172605....
 ANGLE CONNECTOR 90° inside
172605....
 ANGLE CONNECTOR 90° outside
 supply possible

colors:



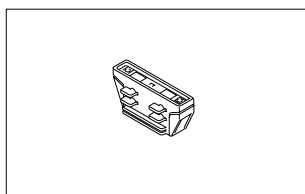
1726211....
 T-CONNECTOR right
1726211....
 T-CONNECTOR left
 supply possible

colors:



172622....
 CROSS CONNECTOR
 supply possible

colors:



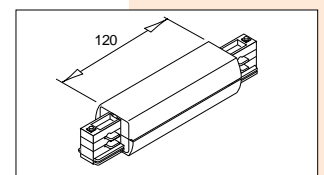
172604....
 COUPLING for straight
 electrical and mechanical
 connection

172619....
 ISO-COUPLING – without
 contacts – for straight
 mechanical connection and
 electrical system separation

colors:

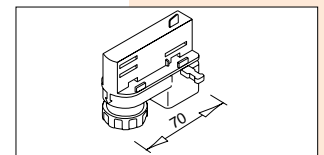
172603....
 CENTRAL CONNECTOR

colors:



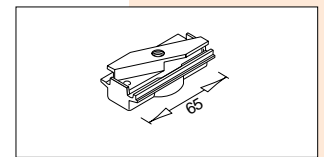
172601....
 ADAPTOR mechanical and
 electrical 6A / max. 5kg,
 usage only as cable outlet

colors:



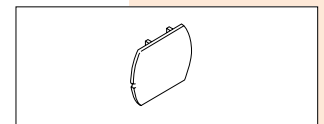
172625....
 ADAPTOR mechanical
 For additional fastening
 of heavy spots

colors:



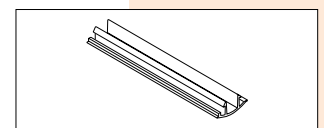
172623....
 END CAPS

colors:



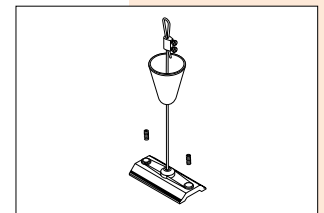
172624....
 TRACK COVER
 1000 mm

colors:

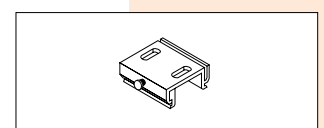


172606....
 SUSPENSION with 2m
 steel cord

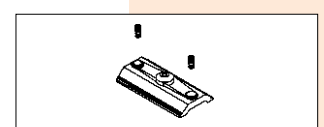
colors:

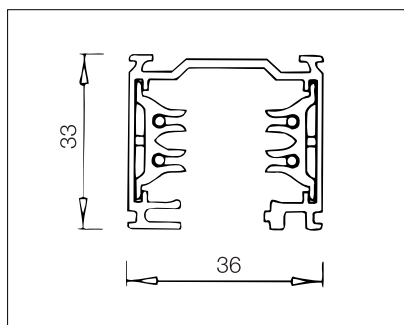


1726070000
 BRACKET FOR WALL-/
 CEILING MOUNTING



1726080000
 Mechanical connector
 to enforce connectors
 type 172 604....



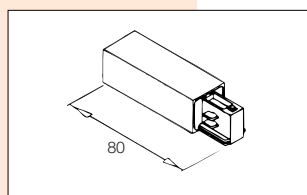


Track system NU rectangular profile

Track: aluminium
Insulation: PVC
Surface: powder coated

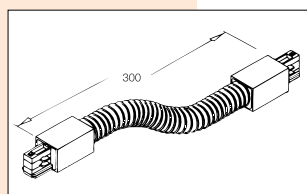
Part no.	172500....	172500....	172500....
Length	1000 mm	2000 mm	3000 mm

□ ■ A



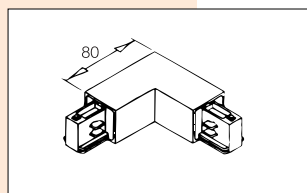
172526....
END FEEDING right
172526....
END FEEDING left

colors: □ ■



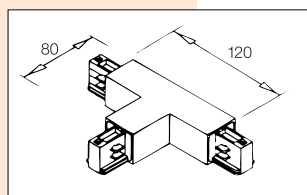
172586....
flexible CONNECTOR
supply possible

colors: □ ■



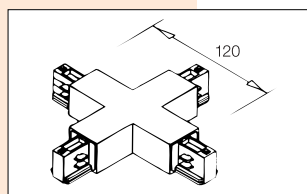
172556....
ANGLE CONNECTOR 90° inside
172556....
ANGLE CONNECTOR 90° outside
supply possible

colors: □ ■



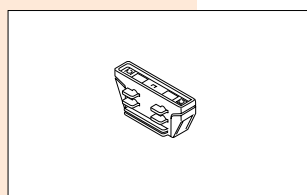
172566....
T-CONNECTOR right
172566....
T-CONNECTOR left
supply possible

colors: □ ■



172576....
CROSS CONNECTOR
supply possible

colors: □ ■

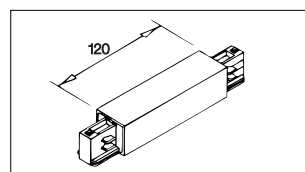


172604....
COUPLING for straight
electrical and mechanical
connection
172546....
ISO-COUPLING – without
contacts – for straight
mechanical connection and
electrical system separation

colors: □ ■

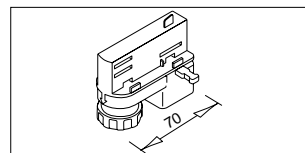
172536....
CENTRAL CONNECTOR

colors: □ ■



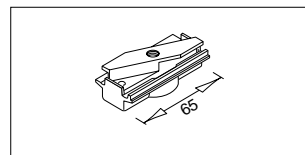
172601....
ADAPTOR mechanical and
electrical 6A / max. 5kg,
usage only as cable outlet

colors: □ ■



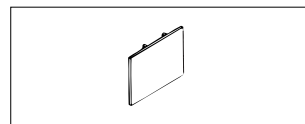
172625....
ADAPTOR mechanical
For additional fastening
of heavy spots

colors: □ ■



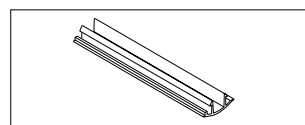
172596....
END CAPS

colors: □ ■



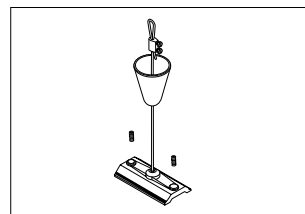
172624....
TRACK COVER
1000 mm

colors: □ ■

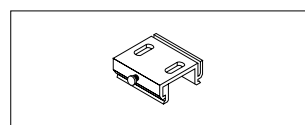


172606....
SUSPENSION with 2m
steel cord

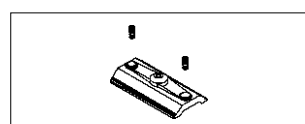
colors: □ ■



1726070000
BRACKET FOR WALL-
/CEILING MOUNTING



1726080000
Mechanical connector to
enforce connectors
type 172 604....





HV-TRACK SYSTEM

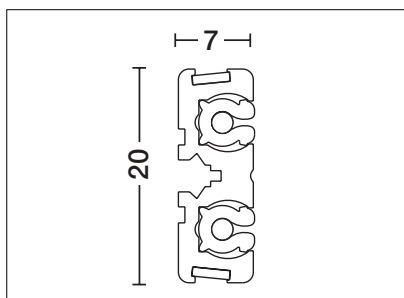
Track

Load capacity: 230V/5A

Material: aluminium-extruded section

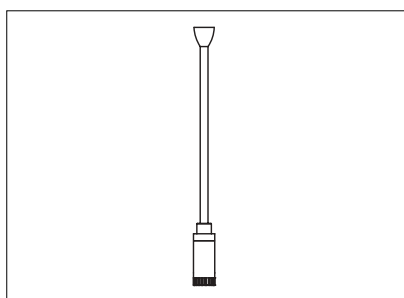
Surface: powder coated

Part no.	1701004110	1701004115	1701004120
Length	1000 mm	1500 mm	2000 mm

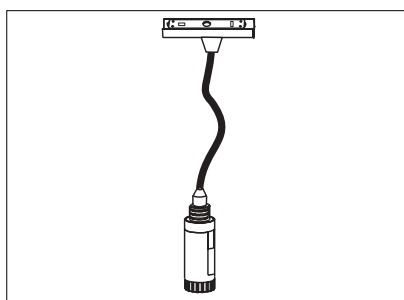


ACCESSORIES FOR HV-TRACK SYSTEM

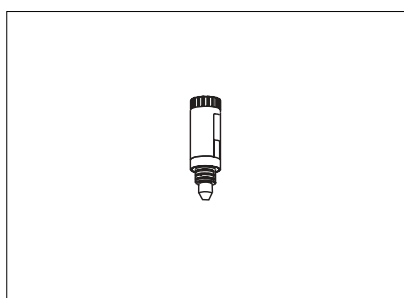
Part no.	Designation
1701004101	HV-track suspension 10 cm
1701004107	HV-track suspension 20 cm
1701004103	HV-track suspension 30 cm



Part no.	Designation
1701004131	HV-track feeding 50 cm, can be cut, if necessary



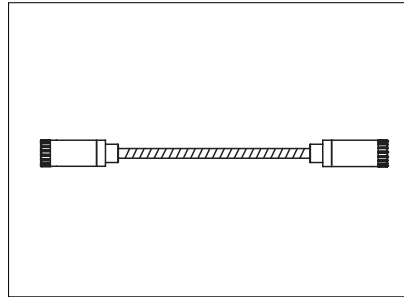
Part no.	Designation
1700004100	Adaptor



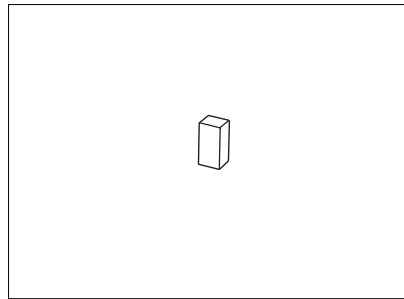
* Only if used with HV-track system

nobile

ACCESSORIES FOR HV-TRACK SYSTEM

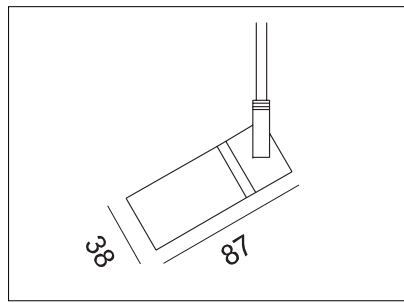


Part no.	Designation
1701004191	HV-track flexible connector

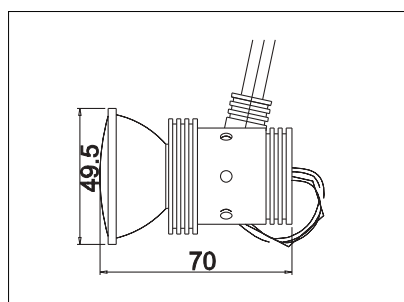


Part no.	Designation
1701004190	HV-track end caps

HV-TRACK SYSTEM: SPOTLIGHT



Part no.	Designation	Power	Base
1702744100	HV-LH-274	40 W	GU 9

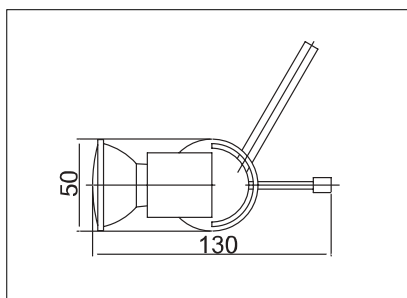


Part no.	Designation	Power	Base
1702754100	HV-LH-275	50 W	GU 10

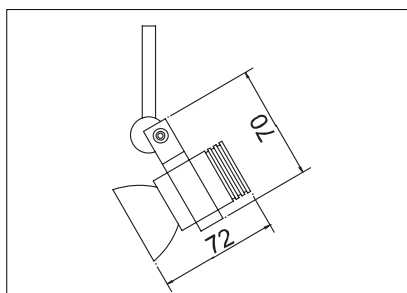


HV-TRACK SYSTEM: SPOTLIGHT

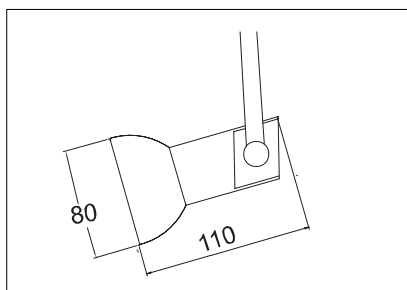
Part no.	Designation	Power	Base
1702784100	HV-LH-278	50 W	GU 10



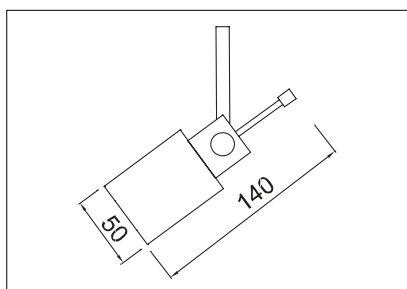
Part no.	Designation	Power	Base
1702794100	HV-LH-279	50 W	GU 10



Part no.	Designation	Power	Base
1702834100	HV-LH-283	40 W	G 9



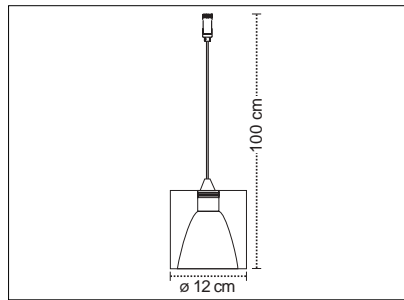
Part no.	Designation	Power	Base
1702844100	HV-LH-284	40 W	G 9



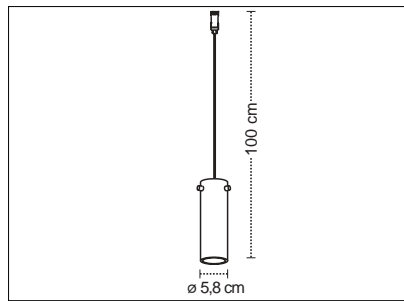
* Only if used with HV-track system



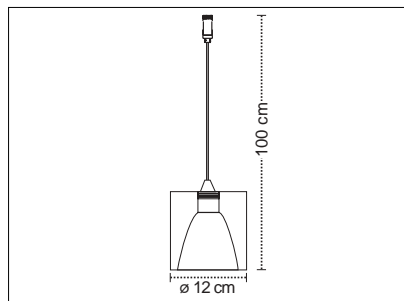
HV-TRACK: PENDANT LUMINAIRE



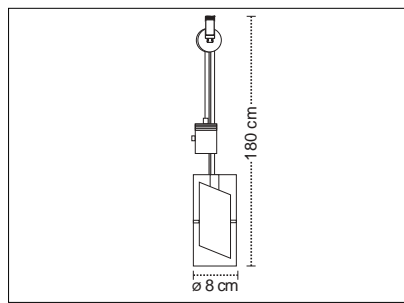
Part no.	Designation	Power	Base
1700014100	HV-PL-1	40 W	G 9



Part no.	Designation	Power	Base
1700024100	HV-PL-2	40 W	G 9



Part no.	Designation	Power	Base
1700034100	HV-PL-3	40 W	G 9



Part no.	Designation	Power	Base
1700054100	HV-PL-5	40 W	G 9

Intrusion protection classes

Contact protection

first number	Short description of the protection class	Protection against penetration of parts and dust
IP 0X	Unprotected	No particular protection
IP 1X	Protection against penetration of parts >50mm	Bigger body parts like a hand (but no protection against intentional touching)
IP 2X	Protection against penetration of parts >12 mm	Fingers and similar things up to 80 mm length Parts >12 mm diameter
IP 3X	Protection against penetration of parts >2.5 mm	Tools, wires etc. with diameter or thickness >2.5 mm. Parts >2.5 mm diameter
IP 4X	Protection against penetration of parts >1 mm	Wires or tapes >1 mm. Parts >1 mm diameter
IP 5X	Dust protection	Penetration of dust is not totally avoided but dust will not penetrate in big quantities and will not disturb proper operation
IP 6X	Dustproof	No penetration of dust

Water protection

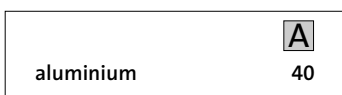
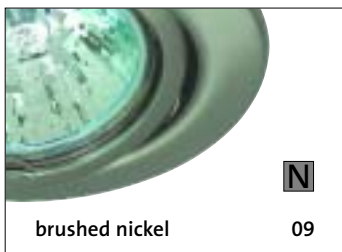
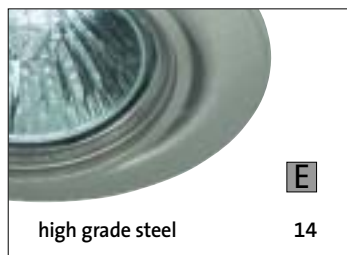
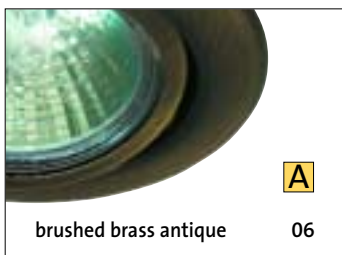
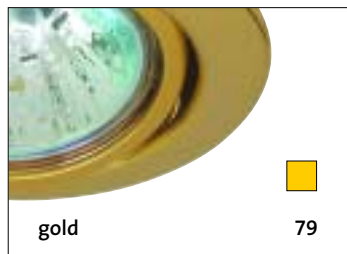
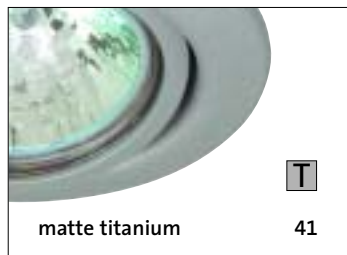
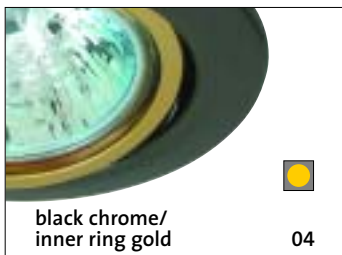
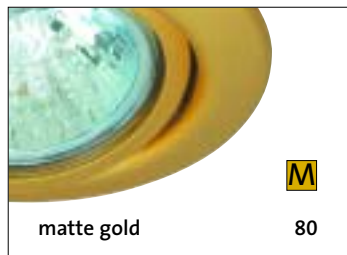
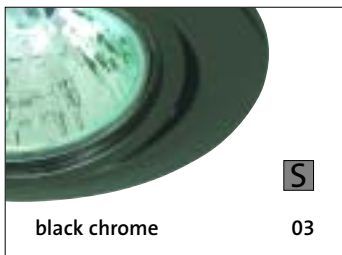
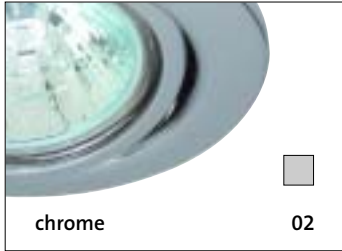
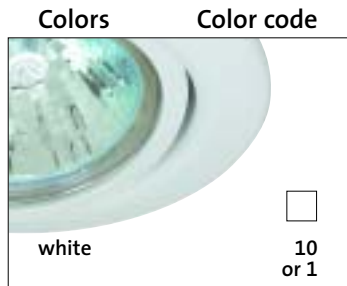
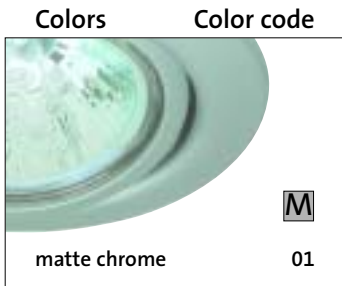
second number	Short description of the protection class	Protection against penetration of water
IP X0	Unprotected	No particular protection
IP X1	Dripping water protection	Dripping water (drops falling vertically) will not create damage
IP X2	Dripping water protection up to an angle of 15°	Dripping water (drops falling vertically) will not create damage if the housing is turned out of the normal orientation angle up to an angle of 15°
IP X3	Water spray protection	Water spray must not create damage if sprayed from an angle up to 60°
IP X4	Splash proof	Splash water must not create damage from any angle
IP X5	Water jet protection	A water jet from a single nozzle must not create damage
IP X6	Rough sea protection	Rough sea or high pressure water jets must not enter into the housing in harmful quantities
IP X7	Immersion protection (t)	Water must not enter in harmful quantities into the housing if dipped into water. Preset requirements for pressure and dipping-time need to be considered
IP X8	Submergence protection (t...m)	The equipment is suitable for continuous use under water under the conditions stated by the manufacturer. Note: normally this requires complete sealing. However, with some equipment this might also mean that water will enter but will not cause any damage

All values, dimensions, drawings and pictures have the usual tolerances and are subject to change without prior notice.

For general characteristics, colors and explanations please see back flap.

Delivery and sales according to our general business conditions and our terms and conditions of delivery.

Colors




The pictures with the colors were taken from the down-light D 3830 (high grade steel C 3830).


Owing to printing reasons there might be color differences. Also there can occur slight color variations in different production lots.


Signs and approvals

Explanation of the marks

CE CE sign
The CE sign shows the conformity with the applicable European directives. All noble products conform to the applicable directives.


 ENEC sign
Common European approval mark for safety and operational characteristics of luminaires and lighting components.


 VDE sign
German safety approval mark.


 Safety approval mark of the German work-accident insurance institutions.


 Dutch safety approval mark.


 IMQ sign
Italian safety approval mark.


 VDE EMC sign
German VDE approval for equipment complying with the applicable EMC standards.

 F-sign for surface-mounted luminaires
Surface-mounted luminaires marked with the F-sign can be mounted on any surface with normal flammability in accordance with DIN 4102. The temperature at the mounting area must not exceed 90°C.


 F sign for built-in luminaires
Built-in luminaires marked with the F sign can be mounted into any material with normal flammability. The temperature of the recessed space must not exceed 90°C at normal operation.


 Distance between highest luminaire point and ceiling must be min. 50 mm.

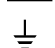
 M-sign
Luminaires with the M-sign can be built into or surface mounted onto furniture.


 MM-sign
Luminaires with the MM-sign can be built into or surface mounted onto furniture, without knowledge about the flammability of the furniture material.


Explanation of the marks

 Open operation
Open operation without lamp cover possible, in accordance with EN 60598.

 Suitable for QR-CB lamps.


 Safety class I
(with ground connection)


 Safety class II
(protective insulation)

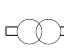
 Safety class III
(safety low-voltage)


SELV Safety Extra Low Voltage equivalent
equiv. AC voltage < 50V, equivalent to safety extra low-voltage.


SELV Safety Extra Low Voltage
Safety low-voltage supplied by a safety transformer < 50V AC.

 Protection class IP 20
[Protection classes are stated per product].


 Independent converter
Converter that can be used outside of luminaires without additional cover and safety protection.

 Safety transformer,
short circuit protected.

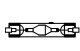
 Converter, protected against overheating
Converter with built-in protection against overheating, to avoid heat-up at housing above the stated temperature.

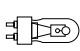
 Not suitable for outdoors.


Lamp markings

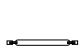
 QR-CB
Low-voltage halogen lamp with reflector

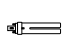
 QT
Low-voltage halogen lamp

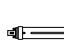
 HIT-DE
Metal halide lamp (halogen)

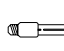
 HIT
Metal halide lamp (halogen)


 SDW-T
Sodium discharge lamp

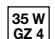
 QT-DE
High-voltage halogen linear lamp

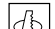
 TC-D/TC-DEL
Compact fluorescent lamp

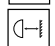
 TC-D/TC-DEL
Compact fluorescent lamp

 TC-DSE
Compact fluorescent lamp

 General Service Lamp

 35 W
GZ 4
Maximum load, base

 Required cutout for mounting

 Minimum distance to the lighted area

nobile 

nobilé AG • Wächtersbacher Straße 78 • D-60386 Frankfurt/Main • Germany
Telephone +49 / (0)69/962205-0 • Fax +49 / (0)69/962205 99 • e-mail: nobile@nobile.de • www.nobile.de